



DVIR SUPPLY AIR VALVE

AIR MANAGEMENT SYSTEMS

PRODUCT PROPERTIES

Stainless steel air supply valve with adjustable core

DVIR is a supply valve suitable for houses, offices etc.

- Good adjusting features
- Low noise level
- Quick and easy to install
- Airflow easy to measure

CONSTRUCTION

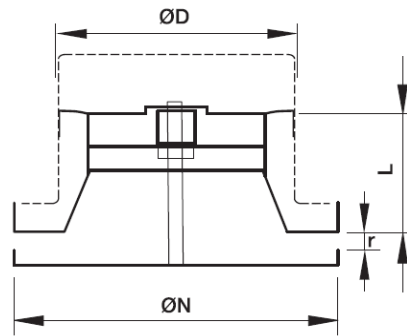
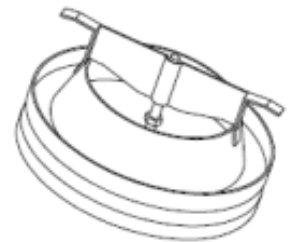
The **DVIR** is manufactured from brushed stainless steel. The valve body has a gasket, made of cellular plastic and the control disc, with screw spindle, enables easy regulation.

MOUNTING

Fixing by clips in the mounting frame. Can also be used for direct mounting into round ducts (with or without mounting frame) .

REGULATION AND MEASUREMENTS

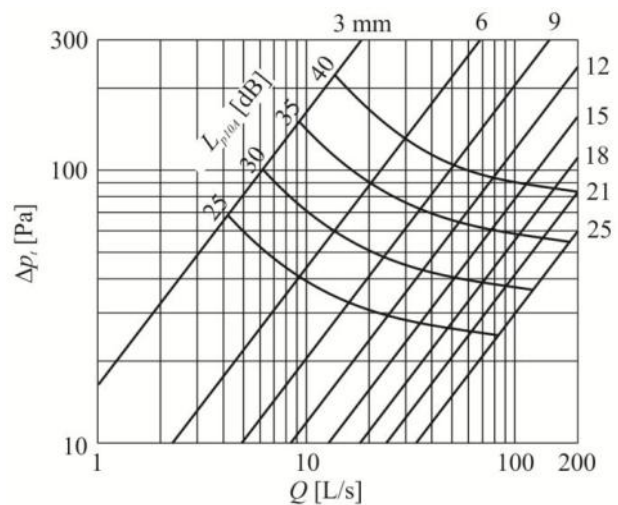
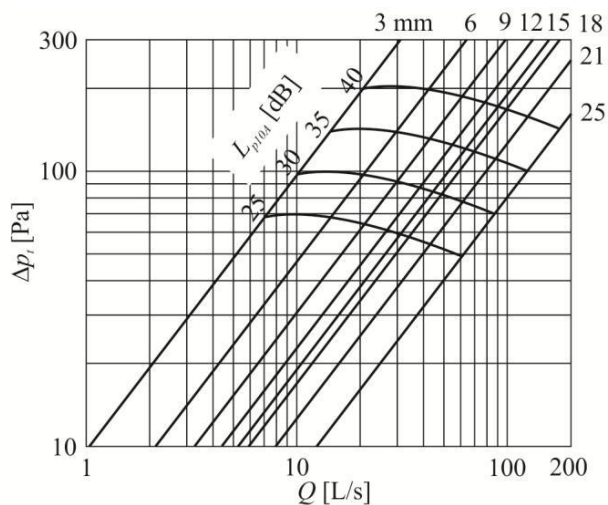
Regulation of airflow is achieved by turning the control disc to change adjustment dimension s (mm). The measurement of airflow is made by a pressure difference measurement with a separate measuring tube.



ØD (mm)	ØN (mm)	L (mm)
080	106	60
100	135	60
125	160	60
160	195	60
200	238	63

Ø080, 160 and 200mm – delivery time > 3 months

The valve is closed when the inner disc of the valve actuating element coincides with the zero-plane, Fig. Actuating valve element has only positive travel; it is totally opened when actuating valve element is moved 25 mm from the zero plane. For one turn of the valve actuating element it is longitudinally displaced for 1 mm. The graphic shows the dependence of flow rate, noise intensity and total pressure drop across the valve type **DVIR100** and **DVIR125**.



LIABILITY:

The information contained in this brochure was current on the publication date. DEC INTERNATIONAL reserves the right to make changes in details at any time without prior notice. In order to avoid misunderstandings, any interested party is advised to contact DEC INTERNATIONAL checking for any changes in materials and/or information after this brochure was published.

PLEASE NOTICE:

The consultant is responsible for the actual installation and mounting of the product. The mentioned values with respect to temperatures are not appropriate to be used to determine the physical properties. These properties are also dependent on humidity and the temperature of the air inside and outside of the H.V.A.C. system.

TRADEMARKS:

DEC International and the DEC logo are trademarks, or registered trademarks of Dutch Environment Corporation BV in the Netherlands and/or other countries.