

Vent-Axia Lo-Carbon

IQ

- EN Intelligent extract fan for bathrooms or toilets
- NL Intelligente ventilator voor badkamers of toiletten
- FR Le ventilateur intelligent pour salles de bains ou toilettes
- DE Intelligenter Lüfter für Badezimmer oder Toiletten



Vent-Axia®

Thank you for choosing this product from Vent-Axia.

Before installing and using the fan, read through this manual / these instructions for use. Then keep it safe so that you can use it for reference in future.

Warning!

This product is not intended for use by persons (including children) with reduced physical, sensory or mental capabilities, or lack of experience and knowledge, unless they are supervised or have been given instruction concerning use of the product by a person responsible for their safety.

Children should be supervised to ensure that they do not play with the product.

CONTENTS

EN

4 DESCRIPTION OF FUNCTIONS

5 INSTALLATION GUIDE

1. Contents
2. Installation
3. Wiring
4. Installation options
5. Connecting the pullcord switch
6. Factory settings
7. Setting functions

10 ADVANCED FUNCTIONS

1. Setting humidity sensitivity mode
2. Pause function with momentary switch

12 LED INDICATORS

13 MAINTENANCE

15 WARRANTY

15 RECYCLING

16 ACCESSORIES

17 TECHNICAL DATA

18 TROUBLESHOOTING GUIDE

DESCRIPTION OF FUNCTIONS

- **Automatic moisture detection system**
Vent-Axia Lo-Carbon iQ is equipped with fully automatic humidity control, which means the fan learns to run only when it can make a difference.
- **Timer**
Selectable delay time - 5, 15 or 30 minutes.
- **Speed control**
The integral speed control allows you to adjust the noise level and capacity to meet your needs.
- **Continuous Trickle operation**
Leave the fan running continuously if you need basic ventilation in the home. This also eliminates the risk of draughts in case of wall mounting.
- **Airing function**
If the fan has been inactive for 26 hours, an airing programme will run for 60 minutes.
- **Pause function**
The fan can be paused for one hour using the power cord.
- **Multi-pole switch**
The fan is fitted with a multi-pole switch, which means that an external switch is not required.
- **LED indicators**
A light-emitting diode with three different colours indicates which mode the fan is in at any one time.
- **12-Volt motor**
The motor is a long-life motor, with a life span of approx. 60,000 hours. This type of motor also runs silently.

INSTALLATION GUIDE

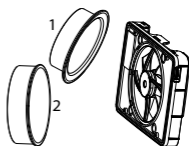
1. Contents

The packaging should contain the following:

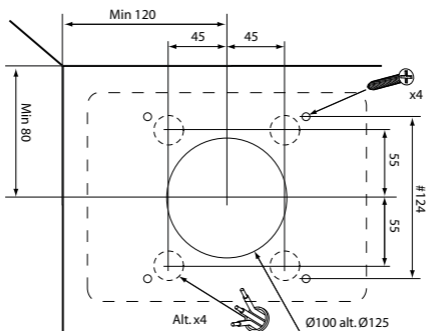
- Fan
- 2 adapters, 1 x $\text{Ø}98$ mm and 1 x $\text{Ø}118$ mm
- Manual
- Accessory bag with 4 screws and plugs, a pull cord with toggle, and insulation for the standard cable type (FK)

2. Installation

The fan can be installed on a wall or on a ceiling. See the diagram below for installation dimensions. The fan must not be installed in an environment where the temperature exceeds 50°C . Attach an appropriate adapter to the fan's chassis, $\text{Ø}98$ (1) for a $\text{Ø}100$ duct or $\text{Ø}118$ (2) for a $\text{Ø}125$ duct.



The fan can also be installed and used without an adapter, so that it is mounted completely on the surface, e.g. in the case of ducts less than $\text{Ø}98$. When installing the fan, check that there is a seal between the pipe/duct and wall/ceiling to prevent humid air from penetrating the wall or ceiling. Use the accompanying screw and plug, if necessary.



3. Wiring

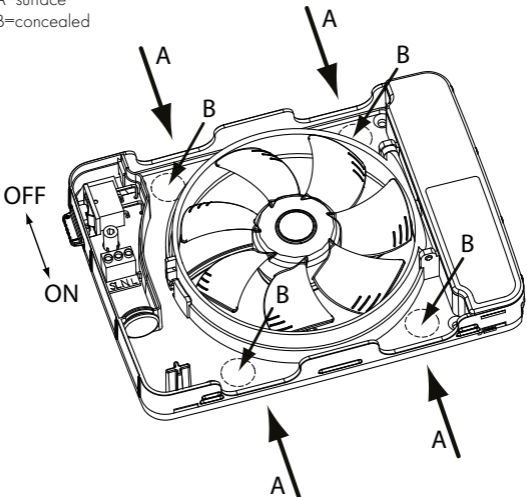
- Installation work should be performed by a qualified electrician.
- The fan is double insulated and must not be earthed.
- The fan is fitted with a multi-pole switch and does not require a pre-wired external switch.

- 1 Push the multi-pole switch up to position 0 - OFF.
- 2 The cable can be installed either along the surface using entries A in the chassis or concealed using the B inlets in the chassis. Both options are shown below. Use the insulating sleeve supplied for the cable (FK).
- 3 If you use any of the B inlets, remove the concealed round plastic cover by tapping inside the break-off notch from the inside out to the back with a screwdriver, for example.

Cable entries

A=surface

B=concealed



4. Installation options

The fan can be installed in any of three ways depending on the desired function, as detailed below:

1 Humidity control only, see diagram 1

The fan is connected to constant phase (L) and neutral (N) for automatic humidity control.

The timer can be activated manually by installing a pull cord and pulling it (see page 8).

2 Humidity control + timer with light switch, see diagram 2

The fan is connected to constant phase (L) and neutral (N) for automatic humidity control.

Switched live (SL) is connected to activate the fan's timer, i.e. when the bathroom light is switched on, current is present at switched live. This option provides a 90-second start delay.

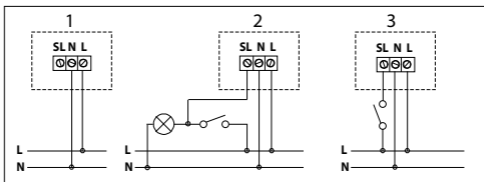
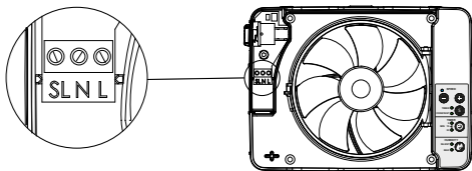
3 Humidity control + timer with retractive switch, see diagram 3

The fan is connected to constant phase (L) and neutral (N) for automatic humidity control.

Switched live (SL) is connected to activate the fan's timer using a retractive switch.

This option gives direct start-up of the fan.

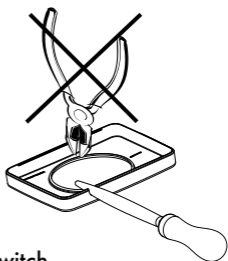
Wiring diagram



NB!

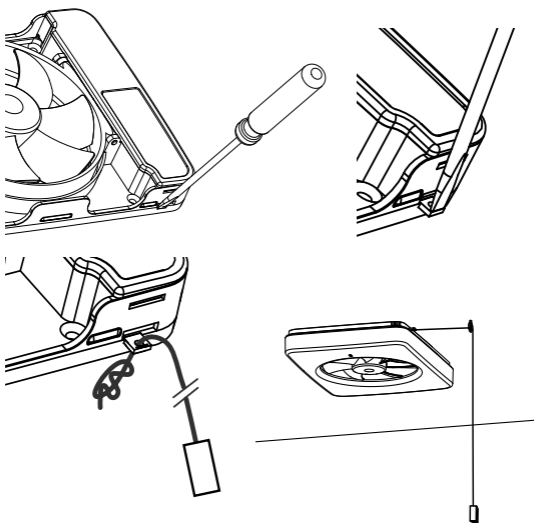
Use an ordinary round file to create a smooth cut-out at a suitable place in the front cover.

Do NOT use pliers or similar tools, as these may cause the cover to crack.



5. Connecting the pull cord switch

A pull cord can be installed for activating the timer manually or for pausing the fan. Remove the mounting plate using a screwdriver, for example, and thread the accompanying pull cord through the hole.



- Once installation is complete, push the safety switch down to position I - ON, to make the fan active again.

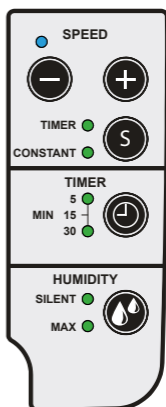
When the fan is connected to the power supply, it performs a self-test where electronics, LEDs and operation of the motor are all tested. The fan is now ready for use.

6. Factory setting

- timer - 5 minutes
- humidity speed - silent (70% of max.)
- timer speed - 70% of max.
- constant operation - off

Restore factory settings

Hold the S-button in for a minimum of 5 seconds.



7. Setting functions

Possible adaptation to meet your needs:

1. Setting fan speed for timer operation.

Press the S-button until the timer light comes on.

Use the SPEED buttons to set the speed.

Restore the factory default timer speed by pressing both the SPEED buttons simultaneously.

2. Delay time

Set the timer to 5, 15 or 30 minutes.

3. Humidity mode / humidity

Set to silent or max. capacity - small or large bathroom.

4. Continuous Trickle operation

Press the S-button until the "CONSTANT" light comes on.

Select the fan speed using the SPEED buttons.

To turn off continuous trickle operation: press the S-button until the "CONSTANT" light goes off.

ADVANCED FUNCTIONS

1. Selecting humidity sensitivity mode

Bathroom climates may vary depending on a number of factors: room size, the presence of any natural draught ventilation, temperature, etc. These factors may have a bearing on fan humidity response, causing it to start too quickly or too slowly.

The factory setting is position 2: normal humidity response, which works best in most cases. There is also the option of completely switching off the humidity function.

1) Press the Speed + and Humidity mode buttons simultaneously (the blue and yellow LEDs flash quickly).

Press the Humidity Mode button until the desired humidity sensitivity mode is selected.



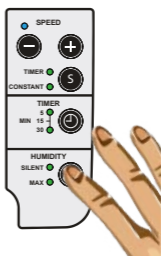
Position 1: the Silent LED comes on - fast humidity response.

Position 2: the Max LED comes on - normal humidity response.

Position 3: The Silent and Max LEDs come on together - slow humidity response.

Position 4: Both the Silent and Max LEDs stay off - humidity control is deactivated.

2) Press the Speed + and Humidity Mode buttons at the same time (The blue and yellow LEDs stop flashing).



2. Pause function using momentary switch

You can pause the fan for one hour by engaging an external momentary switch. This can be connected as shown in diagram 3 on page 7.

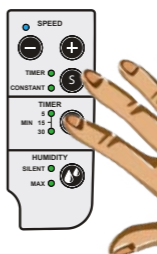
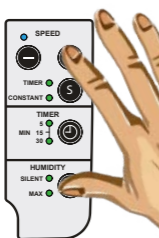
With this function selected, you will be unable to use the delayed start via switched live (lighting) function connected to SL

Activation

- 1 Press the Speed + and Humidity Mode buttons simultaneously (blue and yellow LEDs flash quickly).
- 2 Press the timer button and hold it in for 5 seconds until the 5 min LED comes on.
- 3 Press the Speed + and Humidity Mode buttons at the same time (blue and yellow LEDs stop flashing).

Deactivation

- 1 Press the Speed + and Humidity Mode buttons simultaneously (blue and yellow LEDs flash quickly).
- 2 Press the timer button and hold it in for 5 seconds until no timer run-on LEDs are illuminated.
- 3 Press the Speed + and Humidity Mode buttons simultaneously (blue and yellow LEDs flash quickly).



LED INDICATORS

What is the fan doing?

Vent-Axia Lo-Carbon iQ is equipped with a three-colour LED indicator: yellow, blue and purple.

These three colours tell the user what the fan is doing and which function is currently controlling the motor.

- **No LED on**
The fan is off or is running on continuous trickle.
- **Blue LED on**
The fan is running - the humidity sensor has detected increased humidity in the room.
- **Blue flashing LED**
The fan is running - the fan sensor has detected that it can reduce its reference values for humidity in the room.
- **Yellow LED on**
The fan is running - timer control has been activated.
- **Yellow flashing LED**
Timer control with delayed start has been activated by the light switch. The LED flashes for 1.5 min. before the fan starts.
- **Purple LED on**
The fan is running - the airing function has been activated.
- **Yellow and blue LEDs slowly flash alternately**
Pause function has been activated.
- **Yellow and blue LEDs quickly flash alternately**
Programming mode has been activated.

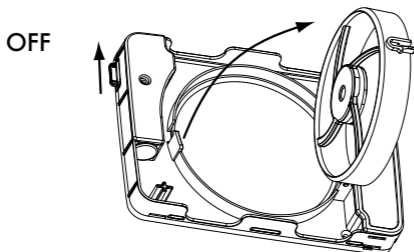
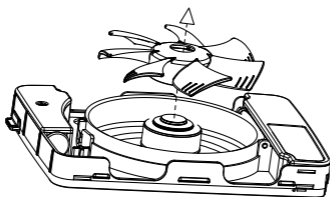
MAINTENANCE

Vent-Axia Lo-Carbon iQ is designed to work efficiently for many years. The fan needs to be cleaned at regular intervals if it is to function properly. These intervals are determined by duration of fan operation and air quality.

Clean the fan at least twice a year, or as required.

Disconnect the power supply to the fan by pushing the multi-pole switch up to position **O** - OFF.

The fan is fitted with a removable impeller. Press in the centre using your thumb, grip the fan wings and pull off the impeller. The fan's "swing out" function is also useful, as it provides easy access to the duct. Press the motor mount ring's snap-in catch and swing out the motor/ blades.



Clean the duct/pipe if there is any dirt present inside. Failure to do this may result in a risk of impaired capacity.

When cleaning the fan, pay particular attention to the blades if these are dirty. Otherwise, there is a risk of imbalance and hence increased noise and a reduced life span for the motor bearings.

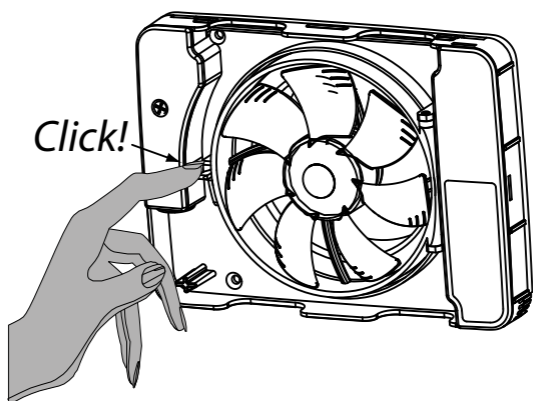
Clean the fan's blades with a brush or paintbrush. Clean the fan cover with a polishing cloth moistened with water and possibly a mild detergent.

NB! Never use solvents or similar products on any part of the fan, as there is a risk of them damaging the fan's plastic components!

Never submerge the fan in water, as there is a risk that this could damage the fan's motor.

After cleaning, swing the motor mount ring back into position and lock it by securing the snap-in catch. Switch the multi-pole switch back on by moving the switch down to position 1 - ON.

If maintenance of the fan is not performed as specified above, the product warranty will be null and void.



WARRANTY

We provide a 5 year warranty against manufacturing defects.

**EN**

For the warranty to be valid, proof of purchase is required and the fan:

- must be assembled and installed in accordance with the installation guide in this manual
- must have been maintained according to the maintenance instructions in this manual
- must be installed in a normal residential environment
- must be connected to a voltage of 100-240 V AC
- must not have been exposed to lightning or abnormal power surges
- must not have been subjected to tampering
- must have been installed in a zone rated as IP44
- must not have been installed in an environment where the temperature exceeded 50° Celsius.

Complaints concerning the product are to be made to the point of purchase.

RECYCLING

This product must not be disposed of with household waste, but must be recycled at a suitable recycling location in the local municipality.



For more information, see www.vent-axia.com

ACCESSORIES

There are a number of accessories available for Vent-Axia Lo-Carbon iQ to help you as user install the product as smoothly as possible.

For the full range of accessories see www.vent-axia.com

For optimum ventilation, you must ensure that sufficient air can enter the bathroom. This is done either by creating an opening at the bottom of the door or by installing an air vent in the door or wall.

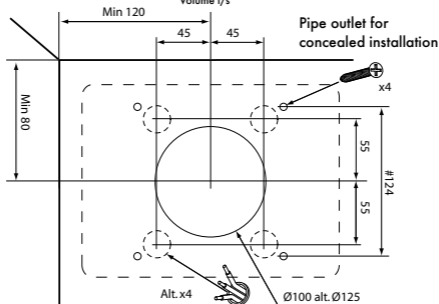
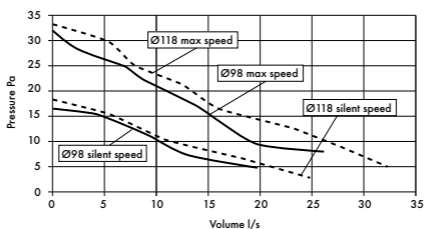
It is also important to draw fresh air into the house that is then expelled through the bathroom or laundry room, for instance.

TECHNICAL DATA

Maximum capacity	37 l/s
Sound pressure level 3 m (Silent mode)	21 dB(A)
Power consumption	2.1 - 5.5 W
Mounting dimensions in wall	0 - 30 mm
Holes	105 - 130 mm
Material	ABS plastic
Protection rating	IP44
Insulation class	□
Voltage	100-240 V
Frequency	50-60 Hz
Certificates	CE

Duct dimensions	Max/ Silent	Capacity FID	Sound pressure level 3 m
Ø 98	Max	30 l/s	28 dB(A)
Ø 98	Silent	20 l/s	21 dB(A)
Ø 98	Trickle	12 l/s	12 dB(A)
Ø 118	Max	37 l/s	29 dB(A)
Ø 118	Silent	24 l/s	21 dB(A)
Ø 118	Trickle	15 l/s	13 dB(A)

Capacity



TROUBLESHOOTING GUIDE

The fan does not start

The fan is newly installed and has never been started:

Check that the fan impeller runs freely.

Check the position of the safety switch. It must be in position I - ON.

Disconnect the power supply to the fan - move the safety switch to position 0 - OFF and then back to position I - ON.

Check that there is voltage at terminal block L (to be done by electricians only).

Check that neutral is properly connected by measuring the voltage across L-N (to be done by electricians only).

The fan has been in use for some time:

Check that the fan impeller runs freely.

Disconnect the power supply to the fan - move the safety switch to position 0 - OFF and then back to position I - ON.

Leave the fan switched off for about 3 seconds before switching it back on.

The fan has been cleaned

Check that the fan impeller runs freely

Check the position of the safety switch. It must be in position I - ON.

The fan runs non-stop

The blue LED is on constantly

(If the fan has been running non-stop for at least 24 hours)

Check that it is working by opening the bathroom door and leaving it open for at least half an hour to equalise humidity levels.

Disconnect the power supply to the fan – move the safety switch to position 0 – OFF and then back to position I – ON.

The yellow LED is constantly on

If the fan is connected to an external switch for timer control, switch this off and wait at least 30 minutes.

Disconnect the power supply to the fan – move the safety switch to position 0 – OFF and then back to position I – ON.

No LEDs on

This is entirely normal if the fan has been set to continuous trickle operation. No LEDs are on in this mode.

If the fan has not been set to continuous trickle operation, disconnect the power supply to the fan – move the safety switch to position 0 – OFF and then back to position I – ON.

Other faults

The fan stops when the light is switched off.

The fan has been installed incorrectly. Terminal L on the terminal block should always have direct phase.

Contact your electrician.

The fan stops when the light is switched on.

The fan has probably been programmed to pause on a momentary switch. See page 11 to deactivate this function

The fan does not work as described remove the cover and disconnect the power supply to the fan by moving the safety switch to 0. Then return the switch to I (On).

If the fan still does not work as described in this guide, contact the retailer or Vent-Axia.

Bedankt dat u dit product van Vent-Axia heeft gekozen.

Voordat u de ventilator installeert en gebruikt, dient u de handleiding/gebruiksaanwijzing door te lezen. Bewaar de handleiding vervolgens om deze in de toekomst als referentie te kunnen gebruiken.

Veiligheidsinformatie!

Kinderen vanaf 8 jaar en ouder en personen met een fysieke, sensorische of mentale beperking of zonder de noodzakelijke kennis of ervaring kunnen het apparaat gebruiken indien zij voldoende begeleid worden of goed geïnstrueerd zijn zodat ze het apparaat op een veilige manier kunnen gebruiken en hebben begrepen welke risico's er aan het gebruik verbonden zijn. Kinderen mogen niet met het apparaat spelen. Schoonmaken en onderhoud mogen niet worden uitgevoerd door kinderen zonder begeleiding.

INHOUDSOPGAVE

- 22 **BESCHRIJVING FUNCTIES**
- 23 **INSTALLATIEGIDS**
 - 1 Inhoudsopgave
 - 2 Montage
 - 3 Aansluiten
 - 4 Installatie-mogelijkheden
 - 5 Aansluiten trekschakelaar
 - 6 Fabrieksinstelling
 - 7 Instellen functies
- 28 **GEAVANCEERDE FUNCTIES**
 - 1 Keuze van vochtgevoeligheid
 - 2 Pauzefunctie met momentschakelaar
- 30 **LED - INDICATIE**
- 31 **ONDERHOUD**
- 33 **GARANTIE**
- 33 **RECYCLING**
- 34 **ACCESSOIRES**
- 35 **TECHNISCHE GEGEVENS**
- 36 **GIDS VOOR HET OPSPOREN VAN STORINGEN**

BESCHRIJVING FUNCTIES

- **Volautomatische vochtregeling**
Vent-Axia Lo-Carbon iQ is voorzien van een volautomatische vochtregeling, wat inhoudt dat de ventilator leert om alleen in bedrijf te zijn als dat zin heeft.
- **Tijdsregeling**
Instelbare nalooptijd - 5, 15 of 30 minuten.
- **Toerentalregeling**
De geïntegreerde toerentalregeling maakt dat u het geluidsniveau en de capaciteit naar eigen wens kunt regelen.
- **Continu bedrijf**
Laat de ventilator continu lopen als u een basisventilatie in uw woning nodig heeft.
Elimineert ook het risico van koudeval bij wandmontage.
- **Beluchtingsfunctie**
Wanneer de ventilator 26 uur inactief geweest is, voert deze functie een 60 minuten lang beluchtingsprogramma uit.
- **Pauzefunctie**
De ventilator kan met de trekschakelaar een uur gepauzeerd worden.
- **Alpolige schakelaar**
De ventilator is voorzien van een alpolige schakelaar, wat inhoudt dat er geen externe schakelaar nodig is.
- **Led-indicatie**
Een lichtdiode met drie verschillende kleuren geeft aan welke functie de ventilator op dat moment heeft.
- **12-volt motor**
De motor is van het longlife type en heeft een levensduur van ca. 60.000 uur. Dit type motor zorgt bovendien voor stil bedrijf.

INSTALLATIEGIDS

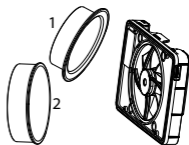
1. Inhoudsopgave

De verpakking moet het volgende bevatten:

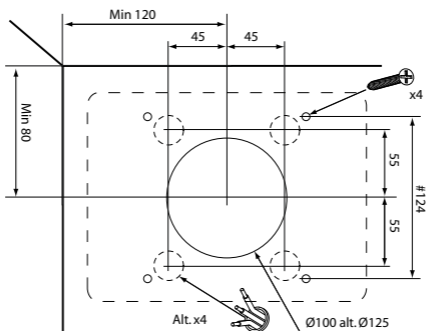
- Ventilator
- 2 verloopringen, een van Ø98 mm en een van Ø118 mm
- Handleiding
- Zakje met accessoires met 4 st schroeven en pluggen, trekkoord met knop en isolatie voor de FK-kabel.

2. Montage

De ventilator kan aan een muur of op een plafond gemonteerd worden. Zie onderstaande afbeelding voor montageafmetingen. De ventilator mag niet worden gemonteerd in een omgeving waar de temperatuur hoger is dan 50° Celsius. Monteer de geschikte verloopring op het frame van de ventilator, Ø98 (1) voor Ø100-lucht kanaal of Ø118 (2) voor Ø125-lucht kanaal.



De ventilator kan ook zonder verloopring worden gemonteerd en gebruikt, als een complete opbouw, bijv. bij een lucht kanaal kleiner dan Ø98. Bij montage moet u ervoor zorgen dat er afdichting zit tussen pijp/kanaal en wand/plafond om te voorkomen dat er vochtige lucht/condens in de wand of het plafond komt. Gebruik de meegeleverde schroeven en pluggen als dat nodig is.



3. Aansluiten

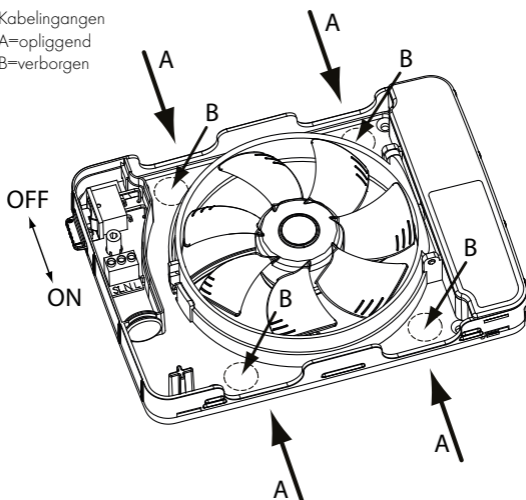
- Installatie moet door een erkend elektricien worden uitgevoerd.
- De ventilator is dubbel geïsoleerd en moet niet geaard worden.
- De ventilator is voorzien van een alpolige schakelaar en hoeft dus geen externe alpolige schakelaar te hebben.

1 Druk de alpolige schakelaar naar de uit-stand 0 - OFF.

2 Installeer de kabel hetzij opliggend door de ingangen A in het frame of verborgen door de ingangen B in het frame. Zie voor beide hieronder. Gebruik de meegeleverde isolatiehuls voor de FK-kabel.

3 Als u een van de ingangen B gebruikt, dient u het ronde verborgen plastic deksel te verwijderen door met een schroevendraaier van binnenuit te kloppen aan de binnenkant van de breuklijnen. U drukt het deksel er naar de achterkant uit.

Kabelingangen
A=opliggend
B=verborgen



4. Installatie-mogelijkheden

De ventilator kan op drie manieren worden geïnstalleerd, afhankelijk van de gewenste functie, zie hieronder:

1 Alleen vochtregeling, zie schema 1

De ventilator wordt aangesloten met een fase (L) en nul (N), voor automatische vochtregeling. De timer kan met de hand worden geactiveerd door een trekkoord te monteren en daar aan te trekken (zie bladzijde 26).

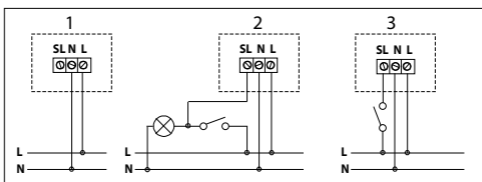
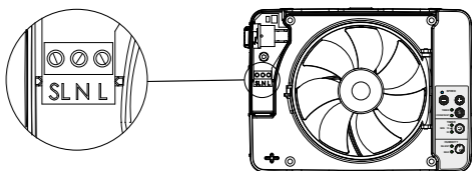
2 Vochtregeling + tijdsregeling met lampschakelaar, zie schema 2

De ventilator wordt aangesloten met één fase (L) en nul (N) voor automatische vochtregeling. De schakeldraad (SL) wordt aangesloten om de tijdsregeling van de ventilator te activeren, d.w.z. wanneer het licht in de badkamer aangaat, staat er stroom op de schakeldraad. Dit alternatief geeft een vertraagde start van 90 seconden.

3 Vochtregeling + tijdsregeling met terugverende schakelaar, zie schema 3

De ventilator wordt aangesloten met één fase (L) en nul (N) voor automatische vochtregeling. De stuurfase (SL) wordt aangesloten om de tijdsregeling van de ventilator te activeren met een terugverende schakelaar. Deze optie geeft een directe start van de ventilator.

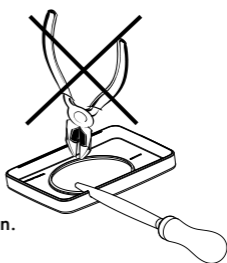
Aansluitschema's



NB!

Gebruik een normale ronde vijl om een gladde uitsnede op een geschikte plek in de afdekplaat te maken.

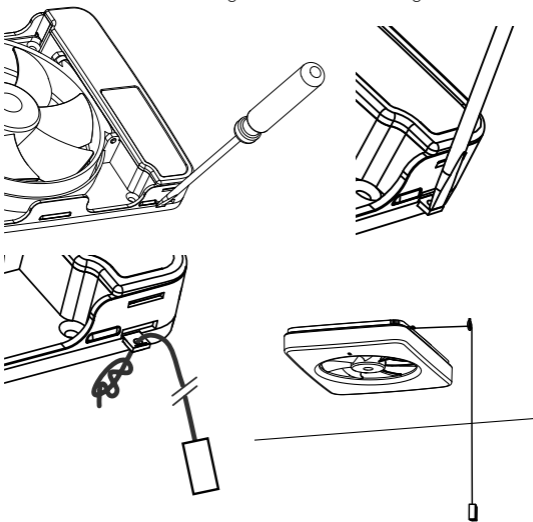
Het gebruik van een tang of vergelijkbaar gereedschap wordt ten strengste afgeraden omdat dit barsten in de plaat kan veroorzaken.



5. Aansluiten trekschakelaar

Er kan een trekschakelaar gemonteerd worden om de tijdsregeling handmatig te activeren of de ventilator te pauzeren.

Wrik de montageplaat weg met behulp van bijv. een schroevendraaier en monteer het meegeleverde koord in het gat..



- Als de installatie gereed is, drukt u de veiligheidsschakelaar omlaag naar stand I - ON, om de ventilator weer te activeren.

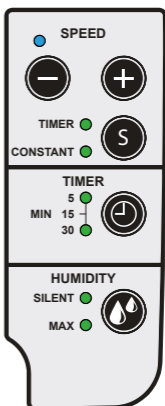
Wanneer de ventilator op de stroom wordt aangesloten, voert hij een zelftest uit om de elektronica, leds en functie van de motor te testen. De ventilator is nu klaar voor gebruik.

6. Fabrieksinstelling

- timer - 5 minuten
- vochtsnelheid - silent (70% van max.)
- timersnelheid - 70% van max.
- continu bedrijf - uit

Resetten naar fabrieksinstelling

Houd de S-knop ten minste 5 seconden ingedrukt.



NL

7. Instellen functies

Eventuele aanpassing aan uw wensen:

1. Instelling van toerental voor bedrijf met timer.

Druk op de S-knop tot de lamp voor de timer brandt.

Kies de snelheid met de SPEED-toetsen.

Ga terug naar het in de fabriek ingestelde timertoerental door de beide SPEED-toetsen tegelijkertijd in te drukken.

2. Nalooptijd

Stel de timer in op 5, 15 of 30 minuten.

3. Vochtstand/humidity

Stel in op stil (silent) of max. capaciteit - kleine of grote badkamer.

4. Continu bedrijf

Druk op de S-knop tot de lamp voor "CONSTANT" brandt.

Kies het toerental met de SPEED-toetsen.

Om continu bedrijf te deactiveren; druk op de S-knop tot de lamp "CONSTANT" uitgaat.

GEAVANCEERDE FUNCTIES

1. Keuze van vochtgevoeligheid

Het klimaat is in iedere badkamer anders, afhankelijk van afmetingen, natuurlijke ventilatie, temperatuur enz. Dit kan de vochtigheidsrespons van de ventilator beïnvloeden; deze kan bijvoorbeeld te snel starten of na een te lange tijd.

Fabrieksinstelling is stand 2: normale vochtrespons, wat in de meeste gevallen het beste functioneert.

U kunt er ook voor kiezen om de vochtfunctie geheel uit te zetten.

- 1 Druk tegelijkertijd op de knoppen speed + en humidity mode (blauwe en gele led knipperen snel).

Druk op de knop humidity mode totdat de gewenste vochtgevoeligheidsstand gekozen is.

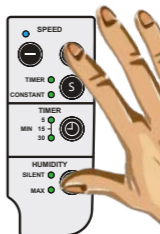
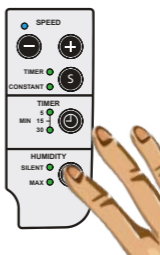
Stand 1: de led voor silent brandt, - snelle vochtigheidsrespons.

Stand 2: de led voor max brandt, - normale vochtigheidsrespons.

Stand 3: De leds voor silent en max branden tegelijkertijd, - langzame vochtigheidsrespons.

Stand 4: Geen van de leeds voor silent en max branden, - de vochtregeling is niet geactiveerd.

- 2 Druk tegelijkertijd op de knoppen speed + en humidity mode (blauwe en gele led stoppen met knipperen).



2. Pauzefunctie met momentschakelaar.

U kunt de ventilator gedurende een uur pauzeren met een externe momentschakelaar. Deze kan worden aangesloten volgens schema 3 op bladzijde 25.

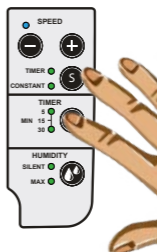
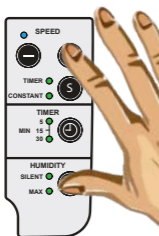
Wanneer men deze functie heeft gekozen is het niet mogelijk de functie vertraagde start te gebruiken via het schakeldraad (verlichting) dat is aangesloten op SL.

Activeren

- 1 Druk tegelijkertijd op de knoppen speed + en humidity mode (blauwe en gele led knipperen snel).
- 2 Druk op de timerknop en houd deze 5 seconden ingedrukt tot de lichtdiode voor 5 minuten brandt.
- 3 Druk tegelijkertijd op de knoppen speed + en humidity mode (blauwe en gele led stoppen met knipperen).

Deactiveren

- 1 Druk tegelijkertijd op de knoppen speed + en humidity mode (blauwe en gele led knipperen snel).
- 2 Druk op de timerknop en houd deze 5 seconden ingedrukt tot er geen lichtdiode voor timernaloop meer brandt.
- 3 Druk tegelijkertijd op de knoppen speed + en humidity mode (blauwe en gele led stoppen met knipperen).



LICHTDIODE

Lichtdioden - wat is de ventilator aan het doen?

Vent-Axia Lo-Carbon iQ is voorzien van een lichtdioden met drie verschillende kleuren, geel, blauw en paars.

Deze drie kleuren vertellen de gebruiker wat de ventilator doet en welke functie op dat moment de motor regelt.

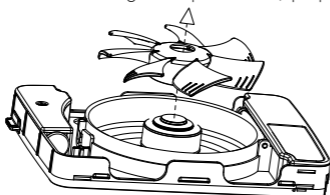
- **Er brandt geen led**
De ventilator staat uit of werkt continu.
- **De blauwe lichtdioden brandt**
De ventilator is geactiveerd - de vochtsensor heeft een verhoogd vochtgehalte in de ruimte ontdekt.
- **Blauwe knipperende lichtdioden**
De ventilator is geactiveerd - de vochtsensor geeft aan dat de referentiewaarde voor het vocht in de ruimte kan dalen.
- **De gele lichtdioden brandt**
De ventilator loopt - de tijdsregeling is geactiveerd.
- **Gele knipperende lichtdioden**
Tijdsregeling met vertraagde start geactiveerd door de verlichtingsschakelaar.
De lichtdioden knipperen gedurende 1,5 min. voordat de ventilator start.
- **De paarse lichtdioden brandt**
De ventilator loopt - de beluchtingsfunctie is geactiveerd.
- **De gele en blauwe lichtdioden knipperen om en om langzaam**
De pauzefunctie is geactiveerd.
- **De gele en blauwe lichtdioden knipperen om en om snel**
De programmeerstand is geactiveerd.

ONDERHOUD

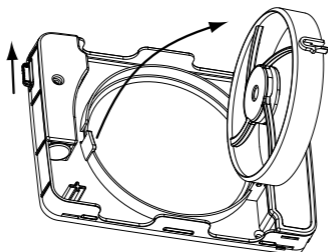
Vent-Axia Lo-Carbon iQ is geconstrueerd om jarenlang efficiënt te kunnen werken. Om de ventilator op de juiste wijze te laten functioneren, is het nodig om hem regelmatig schoon te maken. Het interval wordt bepaald door hoe veel de ventilator draait en de luchtkwaliteit.

Maak de ventilator ten minste twee keer per jaar of naar behoefte schoon. Maak de ventilator spanningsloos door de alpolige schakelaar omhoog te drukken naar stand O - OFF.

De ventilator heeft een afneembare propeller. Druk met uw duim in het midden, pak de ventilatorschoepen en trek de propeller eraf. U kunt ook heel goed de "swing out" - functie van de ventilator gebruiken om makkelijk bij het luchtkanaal te kunnen. Druk op de kliksluiting van de motorring en klap de motor/propeller naar buiten.



OFF



Maak het luchtkanaal/leiding schoon als er een vieze laag op zit. Anders bestaat het risico dat de capaciteit verslechtert.

Maak vooral de schoepen van de propeller schoon als er een vieze laag op zit. Anders bestaat het risico van onbalans en daardoor van een hoger geluidsniveau en een afgenomen levensduur van de kogellagers van de motor.

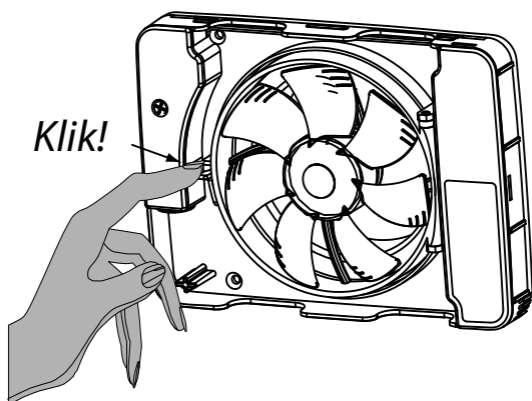
De propeller van de ventilator wordt schoongemaakt met een borstel of een kwast. Het makkelijkste is een afwasborstel en een sopje van mild afwasmiddel. Droog de propeller na het schoonmaken af. Het frontplaatje van de ventilator wordt schoongemaakt met een met water bevochtigd doekje en eventueel een sopje met milde zeep.

NB! Gebruik nooit oplosmiddel of iets dergelijks op een onderdeel van de ventilator, dat zou de plastic delen van de ventilator kunnen beschadigen!

Laat de ventilator nooit onder water zakken, dan bestaat het risico van beschadiging aan de motor van de ventilator.

Na het schoonmaken klapt u de motorring weer terug. Zet hem vast door de kliksluiting vast te klikken. Plaats de propeller terug, druk tot hij vast klikt. Zet de alpolige schakelaar weer aan door de hendel naar beneden op stand 1 - AAN te zetten.

Als het onderhoud van de ventilator niet wordt nageleefd zoals hierboven beschreven, geldt de garantie op het product niet.



GARANTIE

Wij geven 5 jaar garantie op fabrieksfouten.



NL

Om de garantie te laten gelden moet een aankoopbewijs worden overlegd en moet de ventilator:

- gemonteerd en geïnstalleerd zijn volgens de installatiegids in deze handleiding
- onderhouden zijn volgens de onderhoudsinstructies in deze handleiding
- gemonteerd zijn in een normale woonomgeving
- aangesloten zijn met spanning 100-240 V AC
- niet blootgesteld zijn geweest aan blikseminslag of abnormale stroompieken
- niet blootgesteld zijn geweest aan beschadigingen
- geïnstalleerd zijn volgens IP-klasse 44.
- niet gemonteerd zijn in een omgeving waar de temperatuur hoger is dan 50° Celsius.

Reclamaties over het product richt u aan de zaak waar u het gekocht heeft.

RECYCLING

Dit product mag niet bij het huishoudelijk afval, maar dient ter recycling aangeboden te worden bij de milieustraat of een vergelijkbare locatie.



ACCESSOIRES

Voor de Vent-Axia Lo-Carbon iQ is een aantal accessoires verkrijgbaar, waarmee u als gebruiker een zo flexibele en mooi mogelijke installatie kunt krijgen.

Zie www.vent-axia.nl of www.vent-axia.be voor een compleet overzicht van accessoires.

Om een compleet fungerende ventilatie te krijgen, moet u ervoor zorgen dat er voldoende lucht in de badkamer kan komen. Dat lost u op door een gat te maken aan de onderkant van de deur of door een toevoerklep te monteren in de deur of de muur.

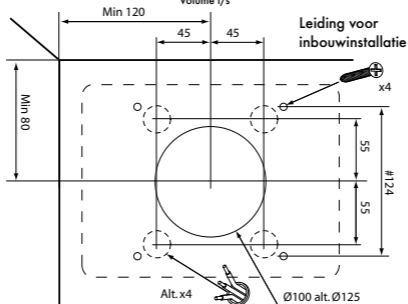
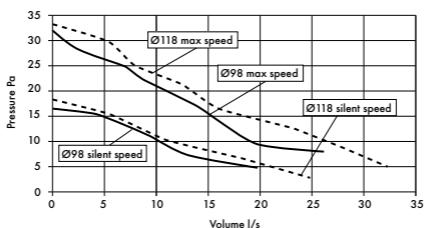
Het is ook belangrijk om frisse lucht in het huis te krijgen, die vervolgens in o.a. badkamer en wasruimte wordt afgevoerd.

TECHNISCHE GEGEVENS

Maximum capaciteit	37 l/s
Geluidsdrukniveau 3m (Silent mode)	21 dB(A)
Energieverbruik	2.1 - 5.5 W
Inbouwmaten in wand	0 - 30 mm
Te maken gaten	105 - 130 mm
Materiaal	ABS plastic
Beschermingsklasse	IP44
Isolatieklasse	□
Spanning	100-240 V
Frequentie	50-60 Hz
Certificaat	CE

Afmetingen kanaal	Max/Silent	Capaciteit (vrije uitlaat)	Geluidsdrukniveau 3 m
Ø 98	Max	30 l/s	28 dB(A)
Ø 98	Silent	20 l/s	21 dB(A)
Ø 98	Trickle	12 l/s	12 dB(A)
Ø 118	Max	37 l/s	29 dB(A)
Ø 118	Silent	24 l/s	21 dB(A)
Ø 118	Trickle	15 l/s	13 dB(A)

Capaciteit



GIDS VOOR HET OPSPOREN VAN STORINGEN

De ventilator start niet

De ventilator is net geïnstalleerd en is nooit in bedrijf geweest:

Controleer of het ventilatorwiel vrij loopt.

Controleer de stand van de veiligheidsschakelaar. Die moet op stand I - ON staan.

Maak de ventilator stroomloos - zet de veiligheidsschakelaar op stand 0 - OFF en vervolgens weer terug naar stand I - ON.

Controleer of er spanning op aansluitklem L staat (alleen elektriciens).

Controleer of de nul goed is aangesloten door de spanning over L - N te meten (alleen elektriciens).

De ventilator is enige tijd gebruikt:

Controleer of het ventilatorwiel vrij loopt.

Maak de ventilator stroomloos - zet de veiligheidsschakelaar op stand 0 - OFF en vervolgens weer terug naar stand I - ON. Laat de ventilator ca. 3 seconden uit staan voor u hem weer aan zet.

De ventilator is schoongemaakt:

Controleer of het ventilatorwiel vrij loopt.

Controleer de stand van de veiligheidsschakelaar. Die moet op stand I - ON staan.

De ventilator blijft draaien

De blauwe ledlamp brandt continu

(Als de ventilator ten minste een etmaal constant heeft gedraaid)

Controleer de functie door de badkamerdeur te openen en deze ten minste een half uur open te laten staan om het vocht te nivelleren.

Maak de ventilator stroomloos - zet de veiligheidsschakelaar op stand 0 - OFF en vervolgens weer terug naar stand I - ON.

De gele led brandt continu

Als de ventilator is aangesloten op een externe schakelaar voor de timerfunctie, zet deze dan uit en wacht ten minste 30 minuten.

Maak de ventilator stroomloos - zet de veiligheidsschakelaar op stand 0 - OFF en vervolgens weer terug naar stand I - ON.

Er brandt geen enkele ledlamp

Dit is geheel normaal als de ventilator is ingesteld op continu bedrijf. In die stand brandt er geen ledlamp.

Als de ventilator niet is ingesteld op continu bedrijf, maak de ventilator stroomloos - zet de veiligheidsschakelaar op stand 0 - OFF en vervolgens weer terug naar stand I - ON.

Overige storingen

De ventilator stopt wanneer de verlichting uitgaat.

De ventilator is verkeerd geïnstalleerd. Klem L op de aansluitklem moet altijd directe fase hebben.

Neem contact op met uw elektricien.

De ventilator stopt wanneer de verlichting aangaat.

De ventilator is vermoedelijk geprogrammeerd voor een pauze met een momentschakelaar. Zie blz. 29 voor omprogrammeren.

De ventilator werkt niet volgens de beschrijving

Haal de frontplaat weg en haal de stroom van de ventilator door de veiligheidsschakelaar op stand 0 te zetten en vervolgens terug op stand I aan.

Als de ventilator nog steeds niet werkt volgens de beschrijving in deze handleiding, moet u contact opnemen met de dealer of Vent-Axia.

Merci d'avoir choisi ce produit Vent-Axia.

Nous vous recommandons de lire ce manuel/mode d'emploi intégralement avant d'installer et d'utiliser le ventilateur.

Rangez-le ensuite soigneusement afin de pouvoir l'utiliser comme référence à l'avenir.

Informations relatives à la sécurité!

Les enfants de plus de 8 ans et les personnes aux capacités physiques, sensorielles ou mentales réduites ou ne possédant pas l'expérience ou les connaissances nécessaires peuvent utiliser l'appareil s'ils ont disposé d'une surveillance adéquate ou été suffisamment formés pour utiliser l'appareil en toute sécurité et s'ils ont compris les risques encourus. Ne pas laisser les enfants jouer avec l'appareil.

Le nettoyage et l'entretien ne doivent pas être effectués par des enfants sans surveillance.

SOMMAIRE

- 40 DESCRIPTION DES FONCTIONS
- 41 GUIDE D'INSTALLATION
1. Contenu
 2. Montage
 3. Raccordement
 4. Installations possibles
 5. Raccordement de l'interrupteur à tirette
 6. Réglage d'usine
 7. Réglage des fonctions
- 46 FONCTIONS AVANCÉES
1. Choix du mode de sensibilité à l'humidité
 2. Activation de la fonction pause à l'aide de l'interrupteur momentané
- 48 TÉMOIN LED
- 49 ENTRETIEN
- 51 GARANTIE
- 51 RECYCLAGE
- 52 ACCESSOIRES
- 53 CARACTÉRISTIQUES TECHNIQUES
- 54 GUIDE DE DÉPISTAGE DES PANNES

DESCRIPTION DES FONCTIONS

- **Automatisme hygrométrique**
Vent-Axia Lo-Carbon iQ est équipé d'un pilotage entièrement automatique par hygrométrie. Le ventilateur apprend à fonctionner exclusivement quand il est utile.
- **Pilotage par temporisation**
Durée de fonctionnement réglable - 5, 15 ou 30 min.
Régulation du régime de rotation
La régulation intégrée du régime de rotation permet de régler le niveau sonore et la capacité selon les besoins.
- **Fonctionnement continu**
Permet de laisser le ventilateur fonctionner en continu si une ventilation de base est requise dans le bâtiment. Élimine également le risque de courants d'air froid en cas de montage mural.
- **Fonction aération**
Commande le démarrage d'un programme d'aération pendant 60 minutes après 26 heures d'inactivité du ventilateur.
- **Fonction pause**
Le ventilateur peut être mis en pause pendant une heure à l'aide de l'interrupteur à tirette.
- **Interrupteur multipolaire**
Le ventilateur est équipé d'un interrupteur multipolaire qui élimine le besoin d'un interrupteur externe.
- **Témoin LED**
Une diode tricolore indique la fonction actuelle du ventilateur.
- **Moteur à 12 volts**
Le moteur est de type « longlife » et offre une durée de vie d'environ 60 000 heures. Ce type de moteur permet en outre un fonctionnement silencieux.

GUIDE D'INSTALLATION

1 Contenu

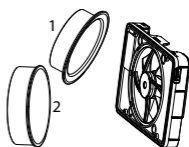
L'emballage doit contenir les éléments suivants :

- Ventilateur
- 2 piquages, un de $\varnothing 98$ mm et un de $\varnothing 118$ mm
- Manuel
- Sac d'accessoires avec 4 vis et chevilles, tirette avec bouton et isolation pour fil électrique multibrins

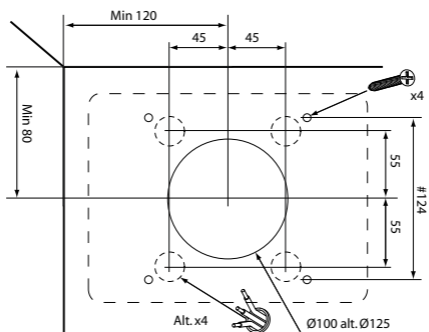
FR

2 Montage

Le ventilateur peut être monté dans une cloison ou un plafond. Voir l'illustration ci-dessous pour les cotes de montage. Ne pas monter le ventilateur dans un environnement soumis à une température dépassant 50°C . Monter un piquage adapté au bâti du ventilateur, $\varnothing 98$ (1) pour conduit $\varnothing 100$ ou $\varnothing 118$ (2) pour conduit $\varnothing 125$.



Le ventilateur peut également être monté et utilisé sans piquage, appliqué directement, par exemple sur un conduit de diamètre inférieur à 98 mm. Pendant le montage, veiller à installer un joint entre le conduit/ la canalisation et la cloison/le plafond pour éviter les infiltrations d'air humide/de condensation. Utiliser les vis et chevilles fournies si adéquates.



3 Raccordement

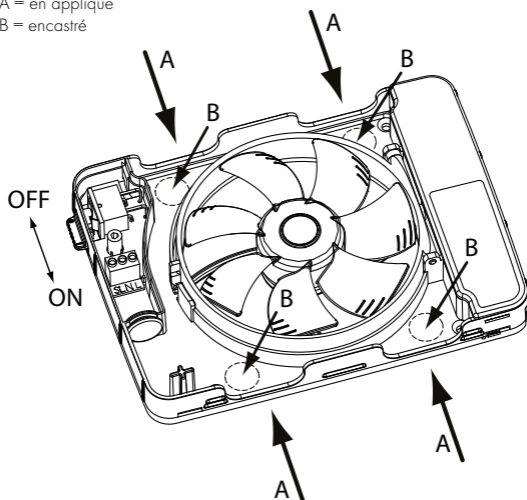
- L'installation doit être effectuée par un électricien agréé.
- Le ventilateur est équipé d'une double isolation et n'a pas besoin de mise à la terre.
- Le ventilateur est équipé d'un interrupteur multipolaire et n'a donc pas besoin d'être protégé par un interrupteur externe.

- 1 Soulever l'interrupteur multipolaire sur la position désactivée 0 - OFF.
- 2 Installer le fil conducteur soit en applique par les passages A du bâti comme indiqué ci-dessous, soit en montage encastré par les passages B du bâti comme indiqué ci-dessous. Utiliser la douille d'isolation pour fil multibrins fournie.
- 3 En cas d'utilisation de l'un des passages B, déposer le couvercle dissimulé en plastique rond en enfonçant le cache entouré d'une indication de rupture depuis l'intérieur vers l'extérieur à l'aide d'un tournevis par exemple.

Passages des fils conducteurs

A = en applique

B = encastré



4 Installations possibles

Trois modes d'installation du ventilateur sont possibles selon le fonctionnement recherché, voir ci-dessous :

1 Pilotage exclusivement par hygrométrie, voir schéma 1

Raccorder le ventilateur à la phase constante (L) et au neutre (N) pour un pilotage par hygrométrie automatique. La minuterie peut être activée manuellement en y attachant une ficelle que l'on tirera (voir page 44).

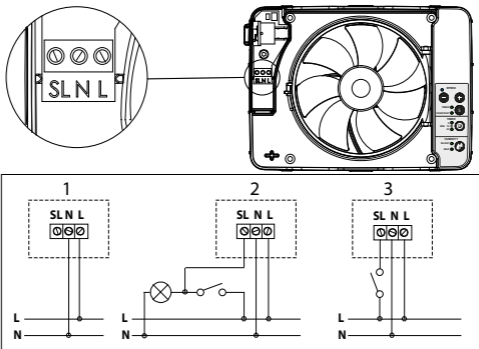
2 Pilotage par hygrométrie + pilotage par temporisation avec un interrupteur d'éclairage, voir schéma 2

Raccorder le ventilateur à la phase constante (L) et au neutre (N) pour un pilotage automatique par hygrométrie. Le fil d'éclairage (SL) est branché pour activer le pilotage du ventilateur par temporisation, c'est-à-dire quand l'éclairage de la salle de bains est allumé, le fil d'éclairage est sous tension. Cette configuration produit un délai de 90 secondes.

3 Pilotage par hygrométrie + pilotage par temporisation avec un interrupteur poussoir, voir schéma 3

Raccorder le ventilateur à la phase constante (L) et au neutre (N) pour un pilotage automatique par hygrométrie. La phase de commande (SL) est connectée pour activer le pilotage du ventilateur par temporisation avec un interrupteur poussoir. Dans cette configuration, le ventilateur démarre immédiatement.

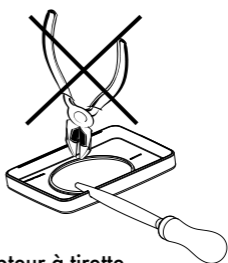
Wiring diagram



FYI

Utilisez une lime ordinaire pour créer un espace lisse à l'endroit souhaité dans le front du couvercle.

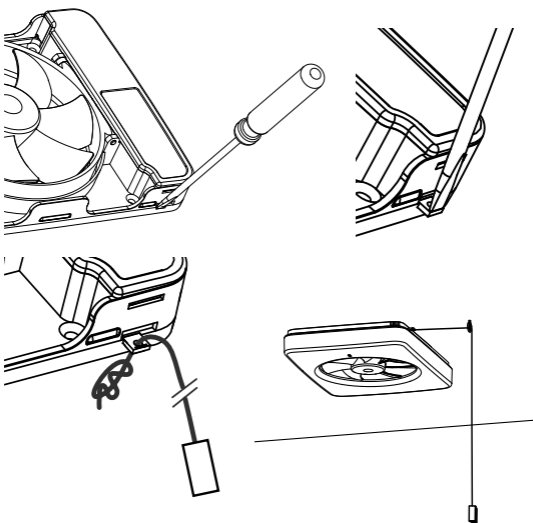
N'utilisez surtout pas des pinces ou similaire, car ceci pourraient procurer des dégâts au couvercle.



5. Raccordement de l'interrupteur à tirette

Une tirette peut être installée pour activer manuellement le pilotage par temporisation ou mettre le ventilateur en pause.

Déposer la plaque de montage à l'aide d'un tournevis par exemple et monter la ficelle fournie dans le passage.



- Quand l'installation est terminée, abaisser l'interrupteur de sécurité en position I - ON pour réactiver le ventilateur.

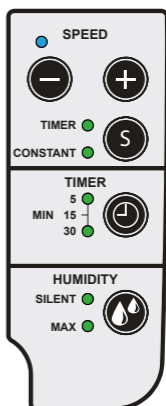
Quand le ventilateur est raccordé au secteur, il procède à un autotest du système électronique, des voyants LED et du moteur. Le ventilateur est maintenant prêt à être utilisé.

6. Réglage d'usine

- minuterie : 5 minutes
- vitesse d'hygrométrie - silencieux (70 % de max)
- vitesse de minuterie - 70 % de max
- fonctionnement constant - dés activé

Réinitialisation au réglage d'usine

Maintenir le bouton S enfoncé pendant au moins 5 secondes.



FR

7. Réglage des fonctions

Adaptation éventuelle aux besoins de l'utilisateur:

1. Réglage du régime de rotation pour le fonctionnement temporisé

Appuyer sur le bouton S jusqu'à ce que le voyant de la minuterie s'allume. Choisir la vitesse à l'aide des boutons SPEED. Pour revenir au réglage d'usine du régime de rotation, appuyer simultanément sur les deux boutons SPEED.

2. Durée de fonctionnement

Régler la minuterie sur 5, 15 ou 30 minutes.

3. Mode pilotage par hygrométrie/ humidity

Régler la capacité sur silencieux (« silent ») ou max - petite ou grande salle de bains..

4. Fonctionnement continu

Appuyer sur le bouton S jusqu'à ce que le voyant « CONSTANT » s'allume. Choisir le régime à l'aide des boutons SPEED.

Désactivation du fonctionnement continu : appuyer sur le bouton S jusqu'à ce que le voyant « CONSTANT » s'éteigne.

FONCTIONS AVANCÉES

1. Choix du mode de sensibilité à l'humidité

Le climat des salles de bains peut varier en fonction de la taille de la pièce, du tirage naturel éventuel, de la température, etc. Ceci peut avoir un impact sur la réaction à l'humidité du ventilateur, qui peut sembler démarrer trop tôt ou trop tard.

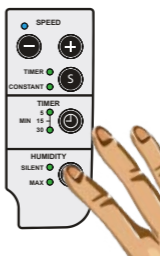
Le réglage d'usine est la position 2 : réaction à l'humidité normale qui, dans la plupart des cas, est la meilleure solution.

On peut également choisir d'arrêter complètement la fonction hygrométrie.

1) Appuyer simultanément sur les boutons « speed + » et « humidity mode » (la diode bleue et jaune clignote rapidement). Appuyer sur le bouton « humidity mode » jusqu'à ce que le mode de sensibilité à l'humidité souhaité soit sélectionné.



Position 1 : la diode « silent » est allumée - réaction rapide à l'humidité.



Position 2 : la diode « max » est allumée - réaction normale à l'humidité.

Position 3 : les diodes « silent » et « max » sont allumées simultanément - réaction lente à l'humidité.

Position 4 : aucune des diodes « silent » et « max » n'est allumée - le pilotage par hygrométrie est désactivé.



2) Appuyer simultanément sur les boutons « speed + » et « humidity mode » (la diode bleue et jaune cesse de clignoter).

2. Fonction pause à l'aide de l'interrupteur momentané

Le ventilateur peut être mis en pause pendant une heure à l'aide d'un interrupteur momentané externe. Il se raccorde conformément au schéma 3 de la page 43.

Lorsque cette fonction est sélectionnée, il est impossible d'utiliser la fonction de démarrage temporisé à l'aide du fil d'éclairage connecté à SL.

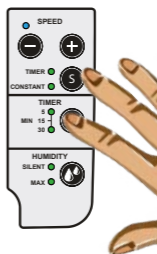
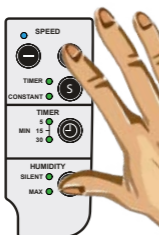
FR

Activation

- 1 Appuyer simultanément sur les boutons « speed + » et « humidity mode » (la diode bleue et jaune clignote rapidement).
- 2 Appuyer sur le bouton de minuterie et le maintenir enfoncé pendant 5 secondes jusqu'à ce que la diode correspondant à 5 min soit allumée.
- 3 Appuyer simultanément sur les boutons « speed + » et « humidity mode » (la diode bleue et jaune cesse de clignoter).

Désactivation

- 1 Appuyer simultanément sur les boutons « speed + » et « humidity mode » (la diode bleue et jaune clignote rapidement).
- 2 Appuyer sur le bouton de minuterie et le maintenir enfoncé pendant 5 secondes jusqu'à ce qu'aucune diode de fonctionnement temporisé ne soit allumée.
- 3 Appuyer simultanément sur les boutons « speed + » et « humidity mode » (la diode bleue et jaune cesse de clignoter).



LED

Témoin LED : que fait le ventilateur ?

Vent-Axia Lo-Carbon iQ est équipé d'une LED tricolore jaune, bleue et violette. Ces trois couleurs informent l'utilisateur de l'activité du ventilateur et de la fonction qui commande le moteur.

- **Aucune diode allumée**
Le ventilateur est à l'arrêt ou tourne en fonctionnement continu.
- **Diode bleue allumée**
Le ventilateur est en marche : le capteur d'humidité a détecté une augmentation de l'hygrométrie dans la pièce.
- **Diode bleue clignotante**
Le ventilateur est en marche : le capteur d'humidité a découvert qu'il peut réduire l'hygrométrie dans la pièce.
- **Diode jaune allumée**
Le ventilateur est en marche : la commande par temporisation est activée.
- **Diode jaune clignotante**
La commande par temporisation avec démarrage temporisé est activée par l'interrupteur d'éclairage. La diode clignote pendant 1,5 min avant le démarrage du ventilateur.
- **Diode violette allumée**
Le ventilateur est en marche : la fonction aération est activée.
- **La diode clignote lentement**
en jaune et bleu en alternance La fonction pause est activée.
- **La diode clignote rapidement**
en jaune et bleu en alternance Le mode de programmation est activé.

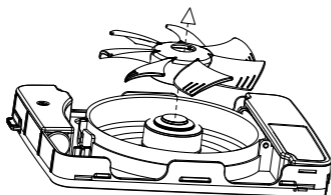
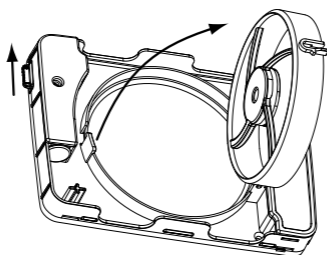
ENTRETIEN

Vent-Axia Lo-Carbon iQ a été conçu pour fonctionner efficacement pendant de nombreuses années.

Pour que le ventilateur fonctionne correctement, il doit être nettoyé à intervalles réguliers. L'intervalle est défini par le taux d'utilisation du ventilateur ainsi que par la qualité de l'air. Nettoyer le ventilateur au moins deux fois par an ou au besoin. Mettre le ventilateur hors tension en soulevant l'interrupteur multipolaire en position O - OFF. Le ventilateur est équipé d'une turbine amovible. Appuyer au centre avec le pouce, saisir les pales du ventilateur et extraire la turbine. La fonction « swing out » du ventilateur facilite l'accès au conduit. Appuyer sur le cliquet du collier moteur et faire basculer le moteur/la turbine.

FR

Nettoyer le conduit/tuyau en cas de dépôt de saleté. Cette couche peut réduire la capacité du ventilateur.

**ARRÊT**

Nettoyer en particulier les pales de la turbine si elles présentent un dépôt de saleté. Un tel dépôt peut compromettre l'équilibrage, entraînant un niveau sonore plus élevé et une réduction de la durée de vie des roulements à billes du moteur.

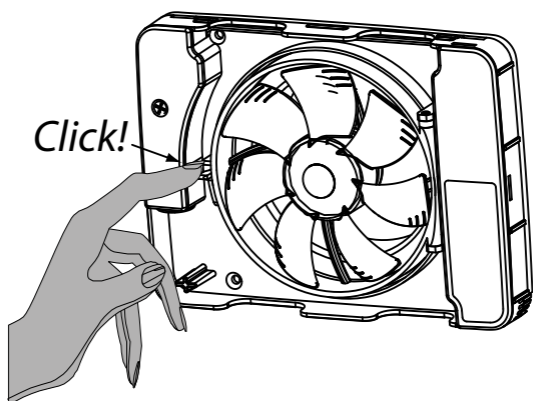
Nettoyer la turbine du ventilateur à l'aide d'une brosse ou d'un pinceau. Le plus simple est d'utiliser une brosse à vaisselle et un liquide vaisselle doux. Sécher la turbine après le nettoyage. Nettoyer le couvercle du ventilateur à l'aide d'un chiffon humide, éventuellement imbibé d'un peu de savon.

Remarque! Ne jamais utiliser de solvant ou produits similaires sur tout élément du ventilateur, car cela pourrait endommager ses éléments en plastique !

Ne jamais immerger le ventilateur dans l'eau, car cela peut endommager le moteur du ventilateur.

Après nettoyage, rabattre le collier moteur et le verrouiller en enfonceant le cliquet. Remonter la turbine en appuyant jusqu'à ce qu'elle s'encliquète. Refermer l'interrupteur multipolaire en positionnant le levier sur 1 - ON.

La garantie du ventilateur est annulée si l'entretien décrit ci-dessus n'est pas respecté.



GARANTIE

Nous offrons une garantie de 5 ans contre les défauts de fabrication.

Pour que la garantie soit valide, il faut pouvoir présenter le bon d'achat et le ventilateur doit :



- être monté et installé conformément au guide d'installation contenu dans ce manuel
- avoir été entretenu conformément aux instructions d'entretien de ce manuel
- être monté dans un logement normal
- être raccordé à une tension comprise entre 100 et 240 V CA
- n'avoir subi aucun coup de foudre ou surtensions anormales
- n'avoir été soumis à aucune dégradation
- avoir été installé dans une zone conforme à la classe IP 44
- ne pas avoir été installé dans un environnement soumis à
- une température ayant dépassé 50 °C.
-

Les réclamations concernant le produit doivent être présentées au point de vente.

RECYCLAGE

Ce produit ne peut être jeté avec les ordures ménagères, mais doit être recyclé dans un centre de recyclage approprié dans la municipalité.

Pour plus d'informations, consultez le site web :
www.vent-axia.be



ACCESSOIRES

Une série d'accessoires destinés aux Vent-Axia Lo-Carbon iQ aident l'utilisateur à procéder à une installation aussi simple et réussie que possible.

Pour toute la gamme d'accessoires consultez le site web :
www.vent-axia.be

Pour bénéficier d'une ventilation efficace, vous devez veiller à ce qu'une quantité d'air suffisante pénètre dans la salle de bains. La solution consiste à pratiquer une ouverture au bas de la porte ou à installer une vanne d'aération dans la porte ou dans la cloison.

Il est également important de laisser l'air frais entrer dans la maison ; il sera ensuite évacué par la salle de bains et par la buanderie.

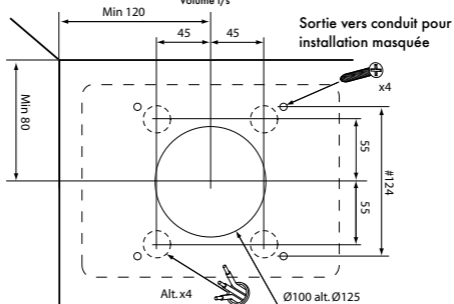
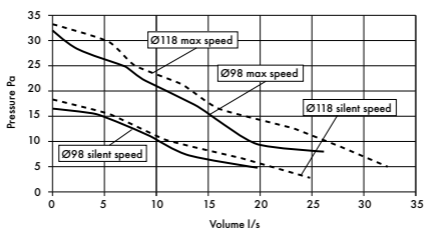
CARACTÉRISTIQUES TECHNIQUES

Capacité maximale	37 l/s
Pression acoustique à 3 m (mode Silencieux)	21 dB(A)
Puissance consommée	2.1 - 5.5 W
Cotes de montage dans cloison	0 - 30 mm
Perçage	105 - 130 mm
Matière	Plastique ABS
Classe de protection	IP44
Classe d'isolement	□
Tension	100-240 V
Fréquence	50-60 Hz
Certificat	CE

FR

Dimension conduit	Max/ Silencieux	Capacité (soufflage en air libre)	Pression acoustique à 3 m
Ø 98	Max	30 l/s	28 dB(A)
Ø 98	Silent	20 l/s	21 dB(A)
Ø 98	Trickle	12 l/s	12 dB(A)
Ø 118	Max	37 l/s	29 dB(A)
Ø 118	Silent	24 l/s	21 dB(A)
Ø 118	Trickle	15 l/s	13 dB(A)

Capacité



GUIDE DE DÉPISTAGE DES PANNES

Le ventilateur ne démarre pas.

Le ventilateur vient d'être installé et n'a jamais été utilisé :

Vérifier que la turbine du ventilateur tourne librement.

Vérifier la position de l'interrupteur de sécurité. Il doit être en position I - ON.

Mettre le ventilateur hors tension : placer l'interrupteur de sécurité sur la position 0 - OFF, puis à nouveau sur la position I - ON. Vérifier que le bornier L est alimenté en courant (électriciens seulement).

Vérifier que le neutre est correctement branché en mesurant la tension entre L et N (électriciens seulement).

Le ventilateur a été utilisé :

Vérifier que la turbine du ventilateur tourne librement.

Mettre le ventilateur hors tension : placer l'interrupteur de sécurité sur la position 0 - OFF, puis à nouveau sur la position I - ON.

Laisser le ventilateur hors tension pendant environ 3 secondes avant de le remettre sous tension.

Le ventilateur a été nettoyé :

Vérifier que la turbine du ventilateur tourne librement.

Vérifier la position de l'interrupteur de sécurité. Il doit être en position I - ON.

Le ventilateur fonctionne sans interruption

La diode LED bleue est allumée en permanence

(Si le ventilateur a fonctionné sans interruption pendant au moins 24 h)

Vérifier son fonctionnement en ouvrant la porte de la salle de bains et en la laissant ouverte pendant au moins une demi-heure pour équilibrer l'humidité.

Mettre le ventilateur hors tension : placer l'interrupteur de sécurité sur la position 0 - OFF, puis à nouveau sur la position I - ON.

La diode LED jaune est allumée en permanence

Si le ventilateur est relié à un interrupteur externe, pour pilotage par une minuterie, ouvrir ce dernier et attendre au moins 30 minutes.

Mettre le ventilateur hors tension : placer l'interrupteur de sécurité sur la position 0 - OFF, puis à nouveau sur la position I - ON.

Aucune diode LED ne s'allume

Ceci est tout à fait normal si le ventilateur est réglé pour fonctionner en continu. Dans ce mode, aucune LED ne s'allume.

Si le ventilateur n'est pas réglé pour fonctionner en continu, mettre le ventilateur hors tension : placer l'interrupteur de sécurité sur la position 0 - OFF, puis à nouveau sur la position I - ON.

Autres pannes

Le ventilateur s'arrête quand on éteint l'éclairage.

Le ventilateur a été mal installé. La borne L du bornier doit toujours recevoir la phase directe.

Contactez un électricien.

Le ventilateur s'arrête quand on allume l'éclairage

Le ventilateur est probablement programmé pour être mis en pause avec un interrupteur momentané. Voir les page 47 pour la déprogrammation

Le ventilateur ne fonctionne pas conformément à la description

Déposer le couvercle en façade et mettre le ventilateur hors tension en positionnant l'interrupteur de sécurité sur 0 et ensuite à nouveau sur I, Marche.

Si le ventilateur ne fonctionne toujours pas conformément à la description donnée dans ce manuel, contactez le revendeur ou Vent-Axia.

Vielen Dank, dass Sie sich für dieses Produkt von Vent-Axia entschieden haben.

Bitte lesen Sie sich diese Bedienungsanleitung sorgfältig durch, bevor Sie den Lüfter installieren und in Gebrauch nehmen. Bewahren Sie diese anschließend sicher auf, damit Sie im Bedarfsfall darauf zurückgreifen können.

Sicherheitshinweis!

Kinder ab 8 Jahren sowie Personen mit eingeschränkten physischen, sensorischen oder geistigen Fähigkeiten bzw. ohne erforderliche Erfahrung oder Kenntnisse dürfen das Gerät unter der Voraussetzung verwenden, dass sie ausreichend beaufsichtigt werden oder bezüglich des sicheren Gebrauchs des Gerätes unterwiesen wurden und die daraus resultierenden Gefahren verstehen. Das Gerät ist kein Spielzeug. Kinder dürfen das Gerät nicht ohne Aufsicht reinigen oder warten.

INHALT

- 58 **BESCHREIBUNG DER FUNKTIONEN**
- 59 **INSTALLATIONSANLEITUNG**
1. Inhalt
 2. Einbau
 3. Anschluss
 4. Installationsalternativen
 5. Anschluss eines Zugschalters
 6. Werkseitige Einstellung
 7. Einstellung der Funktionen
- 64 **ERWEITERTE FUNKTIONEN**
1. Wahl der Empfindlichkeitsstufe
 2. Pausenfunktion mit Momentschalter
- 66 **LED-ANZEIGE**
- 67 **WARTUNG**
- 69 **GARANTIE**
- 69 **ENTSORGUNG**
- 70 **ZUBEHÖR**
- 71 **TECHNISCHE DATEN**
- 72 **FEHLERSUCHE**

BESCHREIBUNG DER FUNKTIONEN

- **Feuchtautomatik**
Vent-Axia Lo-Carbon iQ hat eine vollautomatische Feuchtigkeitsregelung, die dafür sorgt, dass der Lüfter nur dann in Betrieb ist, wenn er tatsächlich gebraucht wird.
- **Timer-Betrieb**
Einstellbare Nachlaufzeit - 5, 15 oder 30 Minuten
- **Drehzahlregelung**
Über die eingebaute Drehzahlregelung kann man Geräuschpegel und Leistung nach Bedarf einstellen.
- **Dauerbetrieb**
Der Lüfter kann im Dauerbetrieb laufen, wenn in der Wohnung eine Grundbelüftung gewünscht wird. Dadurch wird auch die Gefahr der Abstrahlungs-kälte bei der Wandmontage verhindert.
- **Lüftungsfunktion**
Wenn der Lüfter 26 Stunden inaktiv gewesen ist, wird ein Lüftungsprogramm aktiviert, das 60 Minuten läuft.
- **Pausenfunktion**
Der Lüfterbetrieb kann mit dem Zugschalter für eine Stunde unterbrochen werden.
- **Allpoliger Schalter**
Der Lüfter ist mit einem allpoligen Schalter ausgestattet, so dass kein externer Schalter benötigt wird.
- **LED-Anzeige**
Eine Leuchtdiode mit drei Farben zeigt an, in welcher Betriebsart der Lüfter gegenwärtig läuft.
- **12-Volt-Motor**
Der Motor ist ausgesprochen robust und hat eine Haltbarkeit von etwa 60.000 Betriebsstunden. Dieser Motortyp zeichnet sich außerdem durch seine Laufruhe aus.

INSTALLATIONSANLEITUNG

1. Inhalt

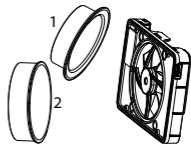
Die Verpackung sollte folgende Teile enthalten:

- Lüfter
- 2 Anschlussstutzen, Größe $\varnothing 98$ mm und $\varnothing 118$ mm
- Bedienungsanleitung
- Zubehörbeutel mit 4 Schrauben und Dübeln, Zugschnur mit Anhänger und eine Isolierung für das FK-Kabel

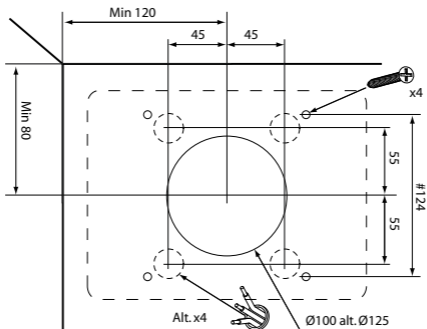
DE

2. Einbau

Der Lüfter kann in der Wand oder in der Decke eingebaut werden. Einbauabmessungen siehe nachstehende Abbildung. Der Lüfter darf nicht in Umgebungen installiert werden, in denen die Temperatur $50\text{ }^{\circ}\text{C}$ übersteigt. Bei Bedarf ist am Lüftergehäuse ein geeigneter Anschlussstutzen zu befestigen, $\varnothing 98$ (1) für $\varnothing 100$ -er Rohre oder $\varnothing 118$ (2) für $\varnothing 125$ -er Rohre.



Der Lüfter eignet sich auch zur Aufputzmontage ohne Anschlussstutzen, z. B. bei Anschlussrohren unter $\varnothing 98$. Beim Einbau sicherstellen, dass zwischen Rohr/Kanal und Wand/Decke eine Dichtung vorhanden ist, damit feuchte Luft/Kondenswasser nicht in die Wand oder die Decke eindringen kann. Bei Bedarf die mitgelieferten Schrauben und Dübel verwenden.



3. Anschluss

- Die Installation ist von einem qualifizierten Elektriker durchzuführen.
- Der Lüfter ist doppelt isoliert und nicht für eine Erdung vorgesehen.
- Der Lüfter ist mit einem allpoligen Schalter ausgestattet, so dass kein externer Schalter benötigt wird.

1 Den allpoligen Schalter in Stellung 0 - OFF bringen.

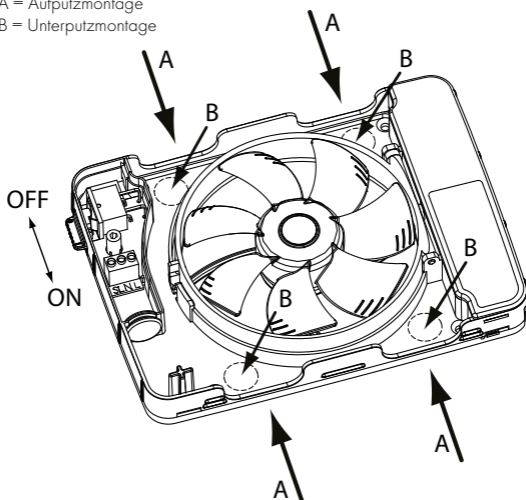
2 Das Kabel entweder durch die Eingänge A am Gehäuse (Aufputzmontage) oder durch die Eingänge B am Gehäuse (Unterputzmontage) anbringen, siehe nächste hende Abbildungen. Die mitgelieferte Isolierung für FK-Kabel verwenden.

3 Wird einer der B-Eingänge verwendet, ist der runde, verdeckte Kunststoffdeckel innerhalb der Bruchkerbe von innen nach außen zur Rückseite herauszuklopfen, z. B. mit einem Schraubendreher.

Kabeleingänge

A = Aufputzmontage

B = Unterputzmontage



4. Installationsalternativen

Der Lüfter lässt sich je nach Funktion auf drei verschiedene Arten installieren::

1 Ausschließlich zur Feuchtigkeitsregelung, siehe Schaltplan 1.

Der Lüfter wird mit Dauerphase (L) und Neutralleiter (N) zur automatischen Feuchtigkeitsregelung angeschlossen. Der Timer lässt sich durch Ziehen an der montierten Zugschnur manuell aktivieren (siehe Seite 62).

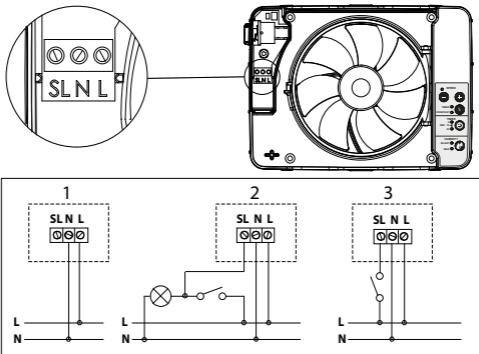
2 Feuchtigkeitsregelung + Timer-Betrieb über den Lichtschalter, siehe Schaltplan 2

Der Lüfter wird mit Dauerphase (L) und Neutralleiter (N) zur automatischen Feuchtigkeitsregelung angeschlossen. Die Schalterleitung (SL) wird zur Aktivierung der Timer-Steuerung angeschlossen, das heißt, dass Strom an der Schalterleitung anliegt, sobald die Badezimmerlampe eingeschaltet wird. Diese Option ermöglicht einen um 90 Sekunden verzögerten Start des Lüfters.

3 Feuchtigkeitsregelung + Timer-Betrieb über den gefederten Schalter, siehe Schaltplan 3

Der Lüfter wird mit Dauerphase (L) und Neutralleiter (N) zur automatischen Feuchtigkeitsregelung angeschlossen. Die Steuerphase (SL) wird zur Aktivierung der Timer-Steuerung mit einem gefederten Schalter angeschlossen. Bei dieser Option wird der Lüfter direkt gestartet.

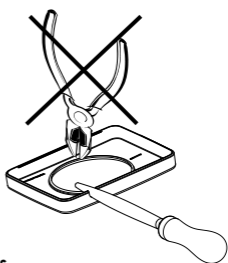
Schaltplan



NB!

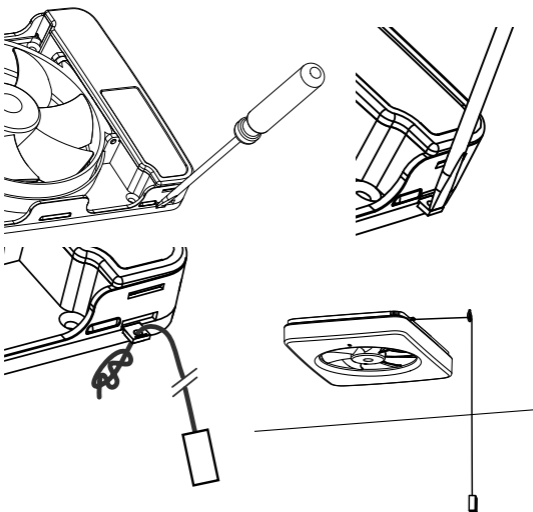
Mit einer runden Feile eine Öffnung an einer geeigneten Stelle in der Frontabdeckung herstellen

Verwenden Sie **KEINE** Kneifzange oder ähnliches da dies zu Beschädigungen an der Abdeckungen führen kann.



5. Anschluss des Zugschalters

Eine Zugschnur zur manuellen Aktivierung oder Unterbrechung des Timer-Betriebs installiert werden. Dazu die Montageplatte z. B. mit einem Schraubendreher entfernen und die mitgelieferte Schnur gemäß den nachfolgenden Abbildungen in der Öffnung anbringen.



- Nach Abschluss der Installation den Sicherheitsschalter nach unten in Stellung I - ON bringen und so den Lüfter einschalten.

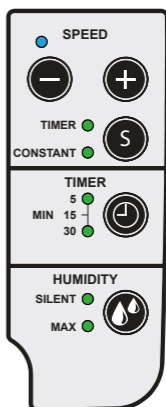
Beim Stromanschluss des Lüfters wird ein Selbsttest durchgeführt, bei dem die Elektronik, die LED-Leuchten und die Motorfunktion überprüft werden. Danach ist der Lüfter betriebsbereit

6. Werkseitige Einstellung

- Timer - 5 Minuten
- Feuchtigkeitsgeschwindigkeit - still (70 % der Höchstleistung)
- Timer-Geschwindigkeit - 70 % der Höchstleistung
- Dauerbetrieb - Aus

Rückstellung auf werkseitige Einstellungen

Den S-Schalter mindestens 5 Sekunden gedrückt halten.



DE

7. Einstellung der Funktionen

Eventuelle Anpassung an die jeweiligen Anforderungen:

1. Einstellung der Drehzahl für den Timer-Betrieb

Den S-Schalter so lange gedrückt halten, bis die Timer-Lampe aufleuchtet. Die Geschwindigkeit mit den SPEED-Tasten festlegen. Zur Rückstellung auf werkseitige Einstellungen beide SPEED-Tasten gleichzeitig drücken.

2. Nachlaufzeit

Den Timer auf 5, 15 oder 30 Minuten einstellen..

3. Feuchtbetrieb/ Humidity

Den geräuscharmen (silent) Betrieb oder Höchstleistung einstellen - kleines oder großes Badezimmer.

4. Dauerbetrieb

Den S-Schalter so lange gedrückt halten, bis die Lampe CONSTANT aufleuchtet. Die Drehzahl mit den SPEEDTasten festlegen.

Abschaltung des Dauerbetriebs: Den S-Schalter so lange gedrückt halten, bis die Lampe CONSTANT erlischt.

ERWEITERTE FUNKTIONEN

1. Einstellung der Empfindlichkeit

Je nach Größe, Selbstlüftung, Temperatur usw. kann das Badezimmer ein sehr unterschiedliches Klima haben. Dies kann sich wiederum auf das Ansprechen des Lüfters auswirken, weil er nach eigenem Ermessen bei Feuchtigkeit zu häufig oder zu selten startet.

Werkseitig ist er auf 2 eingestellt: normales Ansprechen auf Feuchtigkeit, für den Großteil der Fälle geeignet.

Die Feuchtfunktion lässt sich auch komplett deaktivieren.

1) Gleichzeitig die Schalter Speed + und Humidity betätigen (die blaue und gelbe Leuchtdiode blinken schnell).

Die Taste Humidity Mode so lange drücken, bis die gewünschte Empfindlichkeitsstufe gewählt ist.

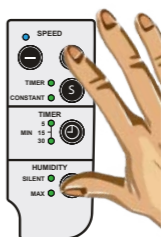
Stellung 1: Die Leuchtdiode für geräuscharmen Betrieb (silent) leuchtet – schnelles Ansprechen auf Feuchtigkeit.

Stellung 2: Die Leuchtdiode für Höchstleistung (max) leuchtet – normales Ansprechen auf Feuchtigkeit.

Stellung 3: Die Leuchtdioden für geräuscharmen Betrieb und Höchstleistung leuchten gleichzeitig – langsames Ansprechen auf Feuchtigkeit.

Stellung 4: Keine der Leuchtdioden leuchtet – die Feuchtigkeitsregelung ist abgeschaltet.

2) Gleichzeitig die Schalter Speed + und Humidity betätigen (die blaue und gelbe Leuchtdiode hören auf zu blinken).



2. Pausenfunktion über Momentschalter

Der Lüfter kann mit einem externen Momentschalter eine Stunde lang abgeschaltet werden. Dieser wird gemäß Schaltplan 3 auf Seite 61 angeschlossen.

Ist diese Funktion aktiviert, lässt sich die Funktion an SL angeschlossene „Startverzögerung“ nicht über die Schalterleitung (Beleuchtung) nutzen.

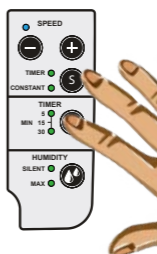
DE

Einschaltung

1. Gleichzeitig die Schalter Speed + und Humidity betätigen (die blaue und gelbe Leuchtdiode blinken schnell).
2. Den Timer-Schalter 5 Sekunden lang gedrückt halten, bis die Leuchtdiode für 5 Minuten leuchtet.
3. Gleichzeitig die Schalter Speed + und Humidity betätigen (die blaue und gelbe Leuchtdiode hören auf zu blinken).

Abschaltung

1. Gleichzeitig die Schalter Speed + und Humidity betätigen (die blaue und gelbe Leuchtdiode blinken schnell).
2. Den Timer-Schalter 5 Sekunden lang gedrückt halten, bis keine Leuchtdiode für Timer-Nachlauf mehr leuchtet.
3. Gleichzeitig die Schalter Speed + und Humidity betätigen (die blaue und gelbe Leuchtdiode hören auf zu blinken).



LED

Was macht der Lüfter?

Vent-Axia Lo-Carbon iQ hat eine Leuchtdiode mit den Farben Gelb, Blau und Violett.

Anhand dieser drei Farben erkennt der Benutzer den aktuellen Status des Lüfters und die gegenwärtige Motorsteuerfunktion.

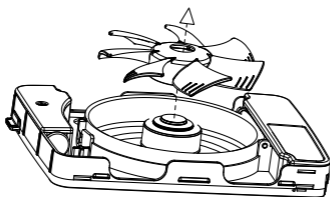
- **Keine Leuchtdiode leuchtet.**
Der Lüfter ist abgeschaltet oder läuft im Dauerbetrieb.
- **Die blaue Leuchtdiode leuchtet.**
Der Lüfter läuft – der Feuchtigkeitssensor hat im Raum eine erhöhte Feuchtigkeit festgestellt.
- **Die blaue Leuchtdiode blinkt.**
Der Lüfter läuft – der Feuchtigkeitssensor hat festgestellt, dass er seinen Referenzwert für die Feuchtigkeit im Raum senken kann.
- **Die gelbe Leuchtdiode leuchtet.**
Der Lüfter läuft – die Timer-Steuerung ist aktiviert.
- **Die gelbe Leuchtdiode blinkt.**
Der Timer-Betrieb mit verzögerter Einschaltung wurde über den Lichtschalter aktiviert. Die Leuchtdiode blinkt 1,5 Minuten lang, bis der Lüfter anläuft.
- **Die violette Leuchtdiode leuchtet.**
Der Lüfter läuft – die Lüftungsfunktion ist aktiviert.
- **Die gelbe und die blaue Leuchtdiode blinken langsam abwechselnd.**
Die Pausenfunktion ist aktiviert.
- **Die gelbe und die blaue Leuchtdiode blinken schnell abwechselnd.**
Der Programmierbetrieb des Lüfters ist aktiviert.

WARTUNG

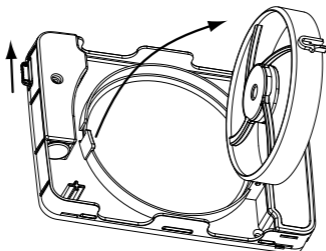
Vent-Axia Lo-Carbon iQ ist so konzipiert, dass der Lüfter seine Funktion viele Jahre lang effizient erfüllt.

Damit er korrekt funktionieren kann, muss der Lüfter in regelmäßigen Abständen gereinigt werden. Das Reinigungsintervall hängt von der Häufigkeit der Nutzung und von der Luftqualität ab. Der Lüfter ist mindestens zwei mal pro Jahr oder nach Bedarf zu reinigen. Den Lüfter durch Umlegen des Sicherheitsstromschalters nach oben in Stellung O - OFF ausschalten. Der Lüfter ist mit einem abnehmbaren Propeller ausgestattet. Mit dem Daumen den Mittelpunkt eindrücken, die Ventilatorflügel ergreifen und den Propeller abziehen. Sehr praktisch ist auch die Schwenkfunktion des Lüfters, die den freien Zugriff auf den Kanal ermöglicht. Den Schnellverschluss des Motorings eindrücken und den Motor bzw. das Lüfterrad zur Seite schwenken.

DE



OFF



Bei Bedarf Verschmutzungen vom Kanal bzw. Rohr entfernen. Wird der Schmutz nicht entfernt, wirkt sich dies eventuell auf die Leistung aus.

Reinigen Sie vor allem die Blätter des Lüfterrads. Durch Verschmutzungen können Unwuchten entstehen, die den Geräuschpegel anheben und die Haltbarkeit der Motorkugellager verkürzen.

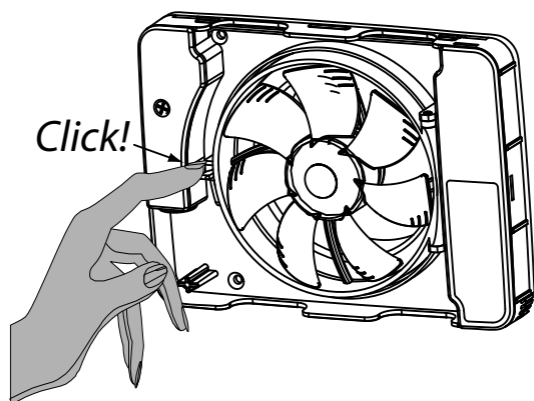
Die Propeller des Lüfters sind mit einer Bürste oder einem Pinsel zu reinigen, am einfachsten mit einer Spülbürste und einer Spülmittellösung.

Den Propeller nach der Reinigung abtrocknen. Für die Reinigung des Lüftergehäuses ist ein feuchtes Putztuch mit Wasser und eventuell eine milde Seifenlösung zu verwenden.

HINWEIS! Für den Lüfter niemals Lösungsmittel oder dergleichen verwenden, da diese die Kunststoffteile des Lüfters beschädigen können!

Den Lüfter nie vollständig in Wasser eintauchen, da der Motor dadurch beschädigt werden kann. Den Motorring nach der Reinigung wieder zurückschwenken und mit dem Schnellverschluss arretieren. Den Propeller wieder anbringen und bis zum Einrasten andrücken. Den Sicherheitsschalter durch Verlegen des Reglers nach unten in Stellung 1 (Ein) einschalten.

Werden die Wartungsanweisungen für den Lüfter nicht befolgt, erlischt die Produktgarantie.



GARANTIE

Der Hersteller gewährt **eine fünfjährige Garantie** auf Herstellungsfehler. Für die Inanspruchnahme der Garantie müssen neben der Vorlage des Kaufbelegs noch folgende Bedingungen erfüllt werden:



- Montage und Installation müssen gemäß den Installationsanweisungen in diesem Handbuch erfolgen.
- Die Wartung muss gemäß den Wartungsanweisungen in diesem Handbuch erfolgen.
- Der Lüfter wurde in einem normalen Wohnbereich eingebaut.
- Der Lüfter wurde an eine Stromversorgung von 100-240 V AC angeschlossen.
- Der Lüfter darf weder Blitzschlag noch außergewöhnlichen Stromspitzen ausgesetzt worden sein.
- Der Lüfter wurde keinen äußeren Einwirkungen ausgesetzt.
- Der Lüfter wurde in einer Zone mit der Schutzart IP44 eingebaut.
- Der Lüfter darf nicht in Räumen installiert worden sein, in denen die Temperatur 50 °C übersteigt.

Reklamationen sind an den Händler zu richten.

ENTSORGUNG

Dieses Produkt gehört nicht in den Hausmüll, sondern kann bei örtlichen Recyclingeinrichtungen entsorgt werden.



ZUBEHÖR

Für Vent-Axia Lo-Carbon iQ ist eine Reihe von Zubehör erhältlich, das eine schnelle und saubere Montage ermöglicht. Nachstehend sind einige Zubehörbeispiele aufgeführt.

Das gesamte Sortiment finden Sie unter www.vent-axia.de

Zur Gewährleistung einer vollständigen Lüftungsfunktion ist sicherzustellen, dass genügend Luft in das Badezimmer gelangen kann. Dies wird entweder über eine Aussparung an der Türunterseite oder durch Einbau eines Abluftventils an der Tür oder Wand erreicht.

Auch die Versorgung des Hauses mit Frischluft ist wichtig. Diese wird dann u. a. über das Badezimmer und die Waschküche wieder abgeleitet.

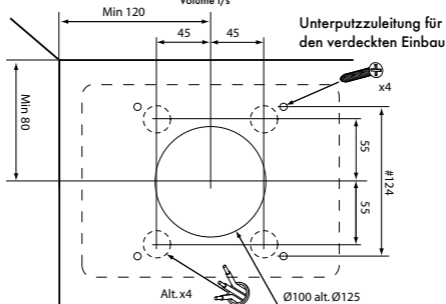
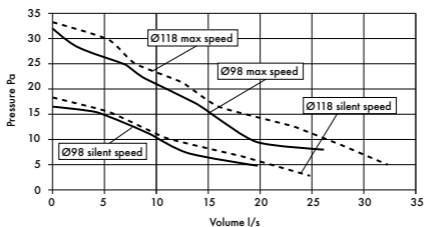
TECHNISCHE DATEN

Höchstleistung	37 l/s
Schalldruckpegel 3 m (geräuscharmer Betrieb)	21 dB(A)
Leistungsaufnahme	2.1 - 5.5 W
Abmessungen in der Wand	0 - 30 mm
Lochbohrung	105 - 130 mm
Material	ABS plastic
Schutzart	IP44
Isolierstoffklasse	□
Spannung	100-240 V
Frequenz	50-60 Hz
Zertifizierungen	CE

DE

Rohr- messungen	Max/ Silent	Kapazität (Freigebläse)	Schalldruckpegel 3 m
Ø 98	Max	30 l/s	28 dB(A)
Ø 98	Silent	20 l/s	21 dB(A)
Ø 98	Constant	12 l/s	12 dB(A)
Ø 118	Max	37 l/s	29 dB(A)
Ø 118	Silent	24 l/s	21 dB(A)
Ø 118	Constant	15 l/s	13 dB(A)

Kapazität



FEHLERSUCHE

Der Lüfter startet nicht.

Der Lüfter wurde gerade erst neu installiert und war noch nie in Betrieb.

Überprüfen, ob sich das Lüfterrad unbehindert drehen kann.

Die Stellung des Sicherheitsschalters überprüfen. Dieser muss sich in Stellung I - ON befinden.

Den Lüfter ausschalten, dazu den Sicherheitsschalter auf 0 - OFF und anschließend wieder auf I - ON stellen.

sicherstellen, dass am Kontakt L Spannung anliegt (nur Elektriker).

Durch Messung der Spannung über L-N (nur vom Elektriker auszuführen) sicherstellen, dass der Neutraleiter korrekt angeschlossen ist.

Der Lüfter ist bereits eine Weile in Betrieb gewesen.

Überprüfen, ob sich das Lüfterrad unbehindert drehen kann.

Den Lüfter ausschalten, dazu den Sicherheitsschalter auf 0 - OFF und anschließend wieder auf I - ON stellen.

Den Lüfter etwa 3 Sekunden ausgeschaltet lassen, bevor er wieder eingeschaltet wird.

Der Lüfter wurde gereinigt.

Überprüfen, ob sich das Lüfterrad unbehindert drehen kann.

Die Stellung des Sicherheitsschalters überprüfen. Dieser muss sich in Stellung I - ON befinden.

Der Lüfter läuft ständig.

Die blaue LED leuchtet ständig

(nachdem der Lüfter mindestens 24 Stunden in Dauerbetrieb war).

Zur Überprüfung der Funktion die Badezimmertür zum Ausgleich des Feuchtigkeitsgehaltes mindestens eine halbe Stunde lang öffnen.

Den Lüfter ausschalten, dazu den Sicherheitsschalter auf 0 - OFF und anschließend wieder auf I - ON stellen.

Die gelbe LED leuchtet ständig.

Ist der Lüfter für den Timer-Betrieb an einen externen Schalter angeschlossen, ist dieser mindestens 30 Minuten lang auszuschalten.

Den Lüfter ausschalten, dazu den Sicherheitsschalter auf 0 - OFF und anschließend wieder auf I - ON stellen.

Keine LED leuchtet.

Dies ist ganz normal, wenn der Lüfter auf Dauerbetrieb eingestellt ist. In dieser Betriebsart leuchtet keine LED.

Wenn der Lüfter auf Dauerbetrieb eingestellt ist, ist er auszuschalten. Dazu den Sicherheitsschalter auf 0 - OFF und anschließend wieder auf I - ON stellen..

Sonstige Fehler

Der Lüfter wird abgeschaltet, sobald das Licht ausgeschaltet wird.

Der Lüfter wurde falsch eingebaut. Der Kontakt L am Klemmenblock muss immer direkt mit der Phase verbunden sein.

Einen Elektriker hinzuziehen.

Der Lüfter wird abgeschaltet, sobald das Licht eingeschaltet wird.

Der Lüfter ist wahrscheinlich auf eine Pause mit dem Momentschalter programmiert. Änderung der Programmierung siehe Seite 65.

Der Lüfter funktioniert nicht wie beschrieben.

Das Gehäuse abnehmen und das Gerät ausschalten. Dazu den Sicherheitsschalter auf 0 und anschließend wieder auf I stellen.

Wenn der Lüfter dann immer noch nicht funktioniert wie in der Bedienungsanleitung beschrieben, dann nehmen sie bitte Kontakt zu ihren Händler oder Vent-Axia auf.





By Appointment to H.M. The Queen
Suppliers of Unit Ventilation Equipment
Vent-Axia, Crawley, West Sussex

Vent-Axia[®]

www.vent-axia.com
www.vent-axia.be
www.vent-axia.nl
www.vent-axia.de

© 2016 Vent-Axia Limited. All rights reserved.