

Clean Air System

# 260i NANO



# AIR8



## Table of contents

|                                  |    |
|----------------------------------|----|
| Unpacking warning .....          | 4  |
| Safety instructions .....        | 4  |
| Intended Use .....               | 5  |
| Technical data .....             | 5  |
| Device description .....         | 6  |
| Before starting the device ..... | 7  |
| Commissioning .....              | 8  |
| WIFI connection .....            | 10 |
| Filter replacement .....         | 13 |
| Malfunctions and solutions ..... | 14 |

## Unpacking Warning

After unpacking the device, make sure there is no damage from transportation and that your order is complete. In the event of damage or an incomplete delivery, contact us at support@air8.tech or +34 933 028 640.

Do not throw away the original box instantly. It can be reused for packing in the event you need to return the device.

Dispose of the packaging material responsibly. Packaging materials should be kept away from children.

## Safety instructions

Read the safety instructions carefully before installing and starting the device. By not following the safety instructions you may expose yourself to electric shock, fire and/or serious injury/death. Attempting to service this air purifier will void the warranty and could cause serious personal injury to the user and/or result in considerable damage to the unit.

In case of damage, do not try to repair the device yourself – always reach out to our AIR8 specialists for such procedures.

Keep all safety instructions in case they are needed in the future.

- Disconnect the plug from the main socket before opening the device.
- Always remove the plug from its power outlet by holding onto the plug itself and pulling gently. Never pull on the cord itself to unplug it from its power outlet.
- Check the voltage of 220-240V before use.
- Check the main plug before plugging in.
- When not in use, unplug the device from the wall outlet.
- Never run the air purifier unless it is fully assembled.
- Do not insert any objects into the air inlets and outlets of the unit as it may cause a short circuit. Special care must be taken when operating the device within the reach of children.
- Do not run the power cord under carpets or cover with rugs.
- Do not place the cord near a heated surface.
- Do not pull the cord against or around sharp corners and edges. This could result in injury to the user or damage to the cord.
- Never use the power cord to pick up, carry, drag, pull or lift the air purifier.
- Use the ON/OFF switch to turn the device "on" and "off".
- Do not use the plug to turn the device "on" or "off".
- Before changing the device, switch it off and unplug from the wall.
- Do not attempt to clean the air inlets or outlets with sharp objects.
- Do not put water in or on the device.
- Do not spray flammable liquids on/into the device.
- Do not operate the device in a damp room (e.g. bathroom). Danger of electric shock or power transfer.
- Do not use hairsprays, thinners or flammable gases in the vicinity of the device, as there is a risk of fire and explosion.
- If candles or gas ovens are in use in the same room and at the same time as the device, open the windows occasionally.

- Do not cover the air inlet or outlet. This can destroy the motor of the ventilator.
- Do not operate the device near heat sources such as heaters, open fires or direct sunlight. The plastic parts can become deformed.
- The unit does not serve as a fan replacement as it considerably shortens the service life of the filter.
- The device must not be used in an environment containing high levels of dust or chlorine.
- Do not place heavy objects on top of the unit.
- Keep the device out of the reach of children.
- If the supply line is damaged, stop the device and replace it immediately.
- If the device is malfunctioning, switch off at the main switch and disconnect it.
- To avoid interference, do not operate the equipment near microwaves, television sets, or other electrical equipment. A distance of at least two metres is recommended.
- The device may only be operated by people who are physically and mentally capable of a correct operation in accordance with these operating instructions, or who have been instructed how to use this device by a responsible person.
- Do not operate the device with wet hands.
- Do not attempt to repair or make any other adjustments, both electrical and mechanical, to the unit yourself.
- Do not let children play with the packaging, such as plastic films.
- Ensure a minimum distance of at least 10 cm between the unit and the nearest wall.
- Always switch off and disconnect the unit before removing or cleaning the filter.
- Only use the device indoors with good air circulation.
- Keep sufficient distance from curtains, drapes or other easily movable objects.
- Do not place the unit on an uneven, sloping or moving surface to prevent it from tipping over or falling to the ground.

## Intended Use

The air purifier is only intended for air cleaning of indoor environments with a good air circulation. The user must comply with the specified operating parameters of these instructions.

The machine may only be used for its intended purpose. Any further use beyond this is not intended. The user/operator shall be liable for any damage or injury of any kind resulting therefrom.

## Technical data

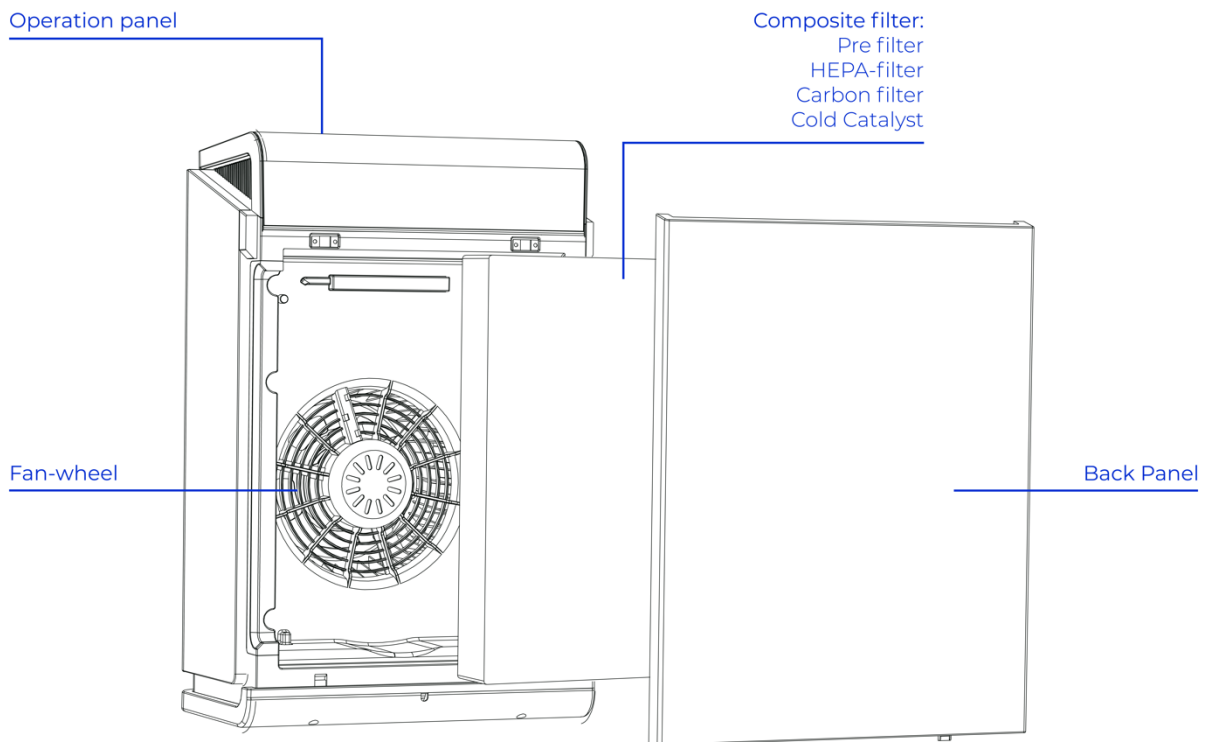
Product name: 260i NANO  
Tension: 220-240V - 50 Hz  
Power rating: 28 – 59W  
CADR (Clean Air Delivery Rate): 260 m<sup>3</sup>/h  
Timer: 1-8 hours  
Weight: 5,9 kg  
Dimensions: 55 x 35 x 21 cm  
Noise emission: 34 – 51dB

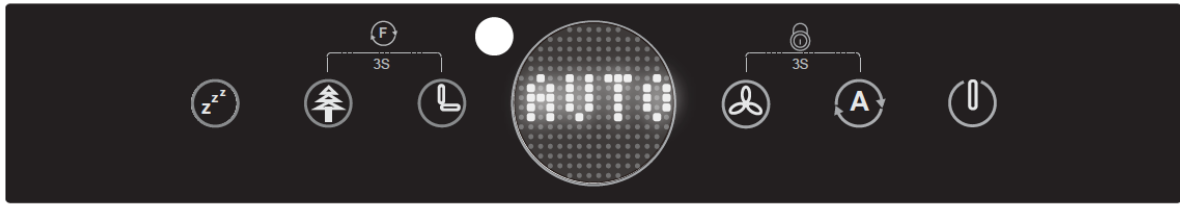
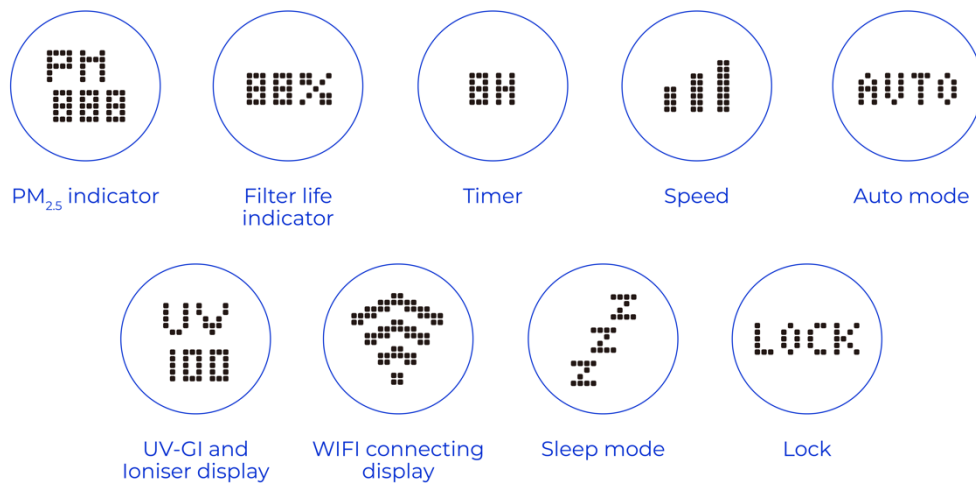
## Device description

Figure 1:



Figure 2:



**Figure 3:** Control panel**Figure 4:** Display indicators

## Before starting the device

Make sure the device is disconnected before opening it. Open the back panel, take out the filters from the device and remove their protective foils. Reinsert them into the device with the tabs facing outwards.

The main filter should normally be changed after 3000 hours of use.

## Commissioning

### Connecting the device

When you plug in the device, the readiness for operation is signalled acoustically.

Caution: Do not plug or unplug the device with wet hands.



### Power

The power switch is used to turn the unit “on” and “off”.



### Auto

In the automatic mode, the fan speed of the device is controlled via the air quality sensor. The device automatically adjusts the fan speed from lowest to highest mode depending on the quality of the air.

The current air quality is shown in both quantitative and qualitative ways on the display.

| Air quality | PM <sub>2.5</sub> (µg/m <sup>3</sup> ) | Display      | Fan stage |
|-------------|--|--------------|-----------|
| Good        | 10 – 60                                | Green light  | 1         |
| Medium      | 61 – 150                               | Orange light | 2         |
| Bad         | 151 - 300                              | Red light    | 3         |



### Timer

With the timer you can set the running time of the device. Times between 1 and 8 hours can be selected.



### Ioniser/UVGI

Press the button to turn on/off the ioniser function as well as the UVGI sterilisation light when the device is operating in Normal or Auto mode.



### Filter reset

When turning on the device for the first time, and every time a filter change is made, you should renew the filter life indicator.

Press both the Ioniser and Timer button for 3 seconds.  
The filter life indicator is renewed and shows 100%.



### Sleep

In the Sleep mode, the device operates at the lowest fan speed for a minimal noise disturbance. Apart from the Sleep display, all other displays turn off.

To exit the Sleep mode, press either Sleep or Speed button.



**Speed**

Press the Speed button to control the fan speed from 1 to 3 when it is under Normal mode. The current fan level is visible on the display.

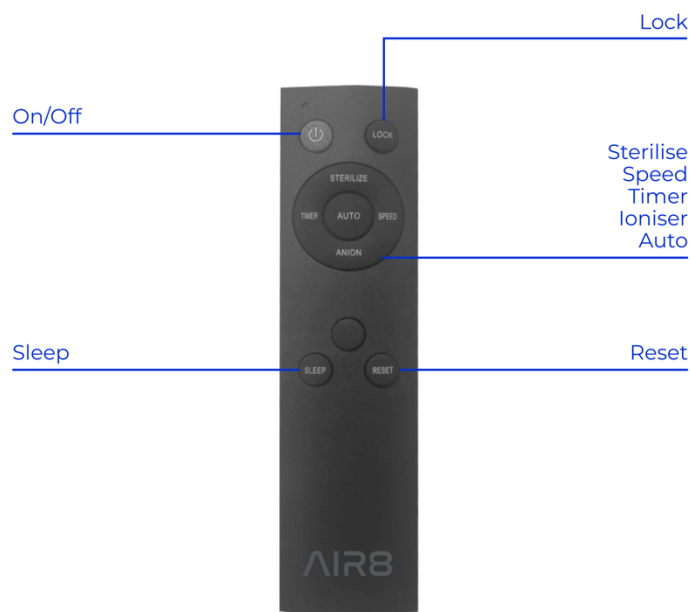
**Lock**

To lock/unlock the device, press both the Speed and Auto button for 3 seconds.

**Remote control**

Press the buttons for the respective function.

When you use the remote control, point it towards the air purifier.



## WIFI Connection

Please note that the device is only compatible with 2.4 GHz networks. If you are using a 5 GHz network it might prevent you from connecting to it.

In order to control your device via the app, you need to follow these steps:

### 1. WIFI Activation

To activate the WIFI connection, press both the Sleep and Timer button for 3 seconds. The WIFI connecting icon appears on the display of the device.

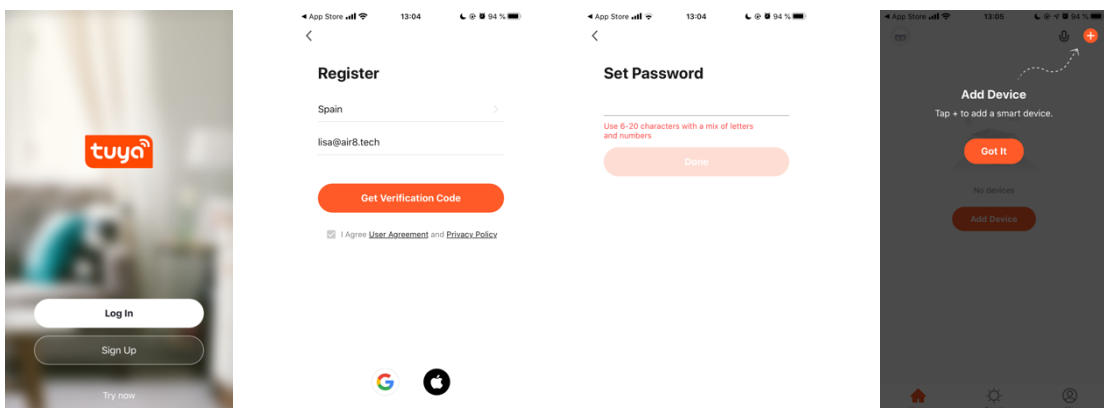
### 2. Connect the device to your smartphone

Download and install the “TuyaSmart” App on your smartphone. You can find it on the App Store or Google Play Store, and also via this QR code.



### 3. Follow all the required steps to create your account

Make sure your phone is connected to the available wireless network. Add the device to your App by clicking the “+” on the top right corner.



There are 2 ways of adding a device:

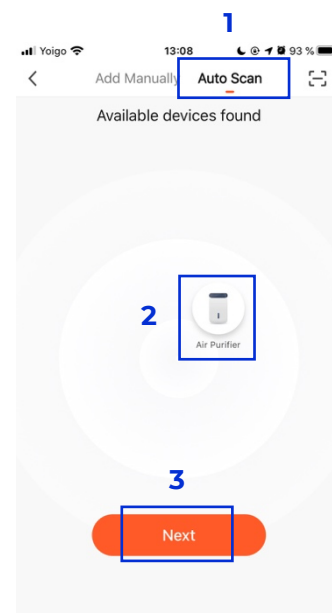
## Option 1 – Add Manually

- Select the “Add Manually” **1** tab, then go to “Small Home Appliances” **2** and select “Air Purifier” **3**
- Make sure the air purifier is turned on and the WIFI function as well (indicator rapidly blinks). Then click “Confirm”.
- Fill in the ID and password of the available wireless network, it must be the same network that the smart-phone is using
- Wait for the connection to complete, then click “done”
- Control your device via the App



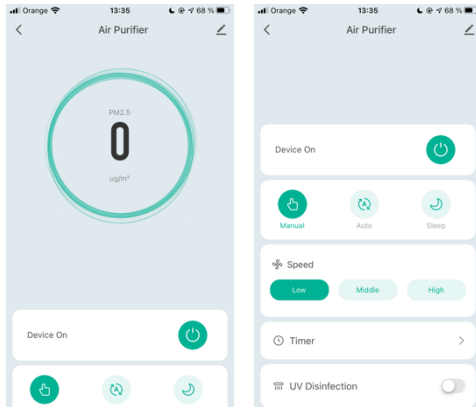
## Option 2 – Auto Scan

- Select the “Auto Scan” **1** tab
- Choose the desired device from list of “Available Devices Found” **2**, then click “next” **3** to proceed with the connection
- Fill in the ID and password of the available wireless network, it must be the same network that the smart-phone is using
- Wait for the connection to complete, then click “done”
- Control your device via the App

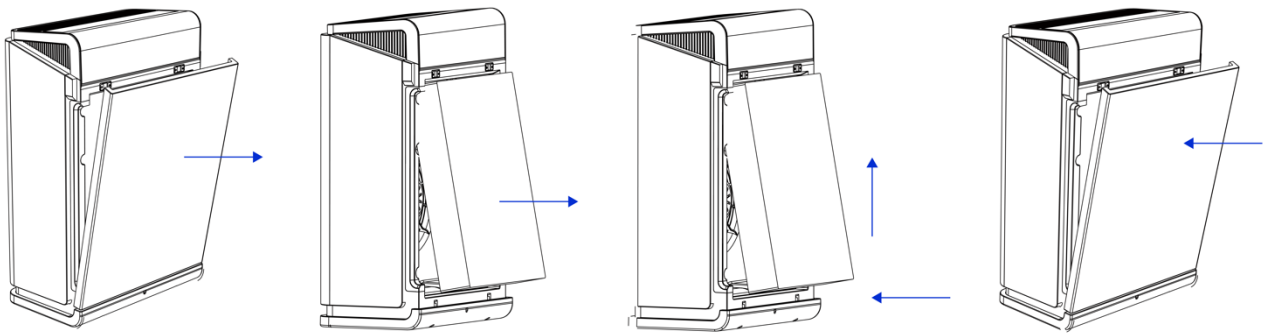


## 4. Configure and control your device remotely

You can edit the name of the device within the App.  
From the Dashboard you can control your device remotely:



## Filter replacement



- 1.** Please ensure the product is switched-off and unplugged before opening it or dismantling the components for filter replacing.
- 2.** Hold the unit and remove the back-panel cover.
- 3.** Pull the textile tabs outwards to carefully remove the filter (Composite filter containing a pre-filter, HEPA filter, carbon filter and cold catalyst).
- 4.** Remove the protective foil of the new filter.
- 5.** Insert the new filter with the top part and push it in slightly to place it correctly (tabs towards outside)
- 6.** Position the back-panel in the right position and press slightly inwards until it clicks. Make sure the back-panel is tightly closed.

## Malfunctions and solutions

If any of the following problems occur, immediately turn off the device and contact our AIR8 specialists.

- Fuse has blown.
- Exterior material gets into the device.
- The plug or power cord heats up or appears to be damaged.

Do not open the device without the presence of an AIR8 specialist.

In case of non-dangerous malfunctions, here is a list of solutions that you can perform:

### The device cannot be switched on:

- Is the plug inserted correctly?
- Has the fuse blown or is there no voltage in the socket?
- Is the front cover fitted correctly?

### The air flow at the outlet opening is lower:

- Is the filter too dirty or clogged?
- Have you removed the filter packaging and protective foil?

### The device is disproportionately loud:

- Is the device stood on an uneven surface?
- Have you removed the filter packaging and protective foil?
- Is the filter too dirty or clogged?

### The remote control does not work:

- Replace the battery.

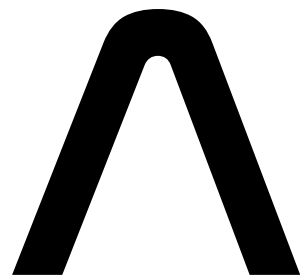
### Smoke and odours are poorly filtered:

- Are the filters inserted in the correct way?
- Have you removed the filter packaging and protective foil?
- Do the filters have to be replaced?

**This product must not be disposed of with household waste.** This air purifier must be disposed of at a recycling point for electronic and electrical equipment.



**air8.tech**



**AIR8 260i NANO**