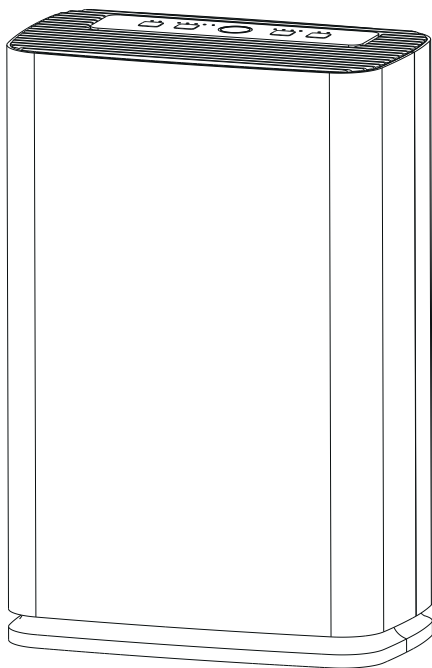


Air Purifier

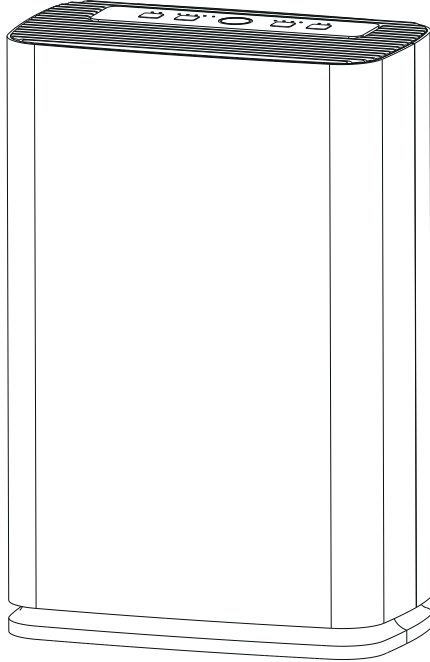
User Manual

Model number: FA330V



Please read this user manual carefully before use. And use strictly in accordance with requirements in this manual. Please keep it properly after reading for checking in the future.

CONTENTS



1. Safety precautions.....	5
2. Product introduction.....	9
Function description of control panel.....	11
3. Before use.....	12

Understand indicator light of air quality	12
Disassembly and installation methods of the back cover	13
Placement of air purifier.....	14
Install filter net.....	15
Understand functions of the filter net.....	18
4. How to use.....	23
Function description of control panel.....	23
Start the air purifier.....	23
Auto mode	24
Manual adjustment of wind speed.....	25
Sleep mode.....	25
Timer mode.....	26
Filter net reset and anion mode.....	26
5.Maintenance and cleaning methods.....	27
Clean the air purifier.....	27
Clean air quality sensor.....	27
Clean pre-filter net.....	29
Change compound filter net.....	33
Long-term idling.....	37
Suggested frequency of replacing the filter net.....	37
6. Fault handling.....	38
Warranty and service.....	41
Order parts or accessories.....	41

Fittings.....	41
7. Other information.....	42
Recycling.....	42

1.Safety precautions

Please be sure to pay attention to the following safety precautions, in order to avoid damages or financial risks to you or other persons.

If power line of the machine is damaged, please authorize manufacturer, maintenance service center of the machine or qualified technical personnel to change for you to avoid danger.



WARNING



No wet hand!

Wet hand is not allowed to touch power plug to avoid electric shock.



Unplug! Please make sure to disconnect the power before cleaning the electric appliance.

Or else, the air purifier will suddenly start, and electric shock will be caused.



Do not exceed the power supply voltage limit. Only 220V alternating current power supply should be used.

Equipment using universal socket or exceeding the specified voltage value, may cause overheating or fire accidents.



Please insert the plug fully into power socket before starting the air purifier.

Electric shock or overheating, even fire accidents may occur if the plug is not fully inserted into the power socket.

⊗ Please do not use damaged plugs or loose power sockets.



Prohibited to use damaged power line and socket.

Please do not bind power line when using this machine. Electric shock, short circuit or fire accidents may happen if you use damaged electric wires.

⊗ Do not cut, modify, excessively distort, twist, wring or drag electric wires, nor put heavy stuff on the electric wire or socket.



Please clean the power plug regularly.

If dust gathers on the power plug, the moisture may damage insulating part of the plug, and fire accidents may happen.

⊗ Pull out the plug, use a clean rag to wipe it (please do not use wet rags).

⊗ Please pull out the plug of the electric appliance if it is not used for a long time.



Prohibited to open or modify this air purifier without authorization.

Opening or modifying this air purifier without a uthorization may cause electric shock, fault or fire accidents.



Prohibited to place bars or other metal objects at the air inlet or opening.

Or internal parts may be touched and electric shock or damages may be caused.



Attention

Please turn off power of the machine if any of the following conditions occurs:

- ⊗ If any one switch does not work.
- ⊗ If the circuit breaker works or the fuse is burned out.
- ⊗ If the power line or plug heats abnormally.
- ⊗ If you found any burnt smell or abnormal sound or vibration.
- ⊗ If there is any abnormal phenomena or malfunction.



ATTENTION



Prohibited to use benzene or diluent or other solvents to clean the air purifier. Avoid any contact with pesticide.

Or the air purifier may fracture and damage may be caused. Even electric circuit may happen, causing electric shock or fire accidents.



Please hold in hand the plug when pulling the plug out, and do not drag electric wires.

If you directly drag electric wires, electric circuit may be caused, or electric wires may be damaged or fire accidents may happen.



Prohibited to use this air purifier at places with greasy particles.

For example in kitchen, the air purifier may fracture and be damaged.

⊗ This air purifier could not be used as ventilation equipment.



The room must be ventilated when using this air purifier together with the electric heater.

Or, carbon monoxide poisoning may happen.

⊗ This air purifier is unable to eliminate carbon monoxide.



Prohibited to use this air purifier in the room with fumigation pesticides.

Chemical residue may remain inside the machine, and discharge from the air outlet and cause harm to health.

⊗ Ventilate the room thoroughly after using the pesticide, then use this air purifier.



Prohibited to use this air purifier at places with high temperature and moisture such as bathroom.

Or air purifier may have leakage of electricity, electric shock or fire accidents may be caused.



Prohibited to wet the machine body!

Or electric circuit may be caused and electric shock or fire accidents may happen.

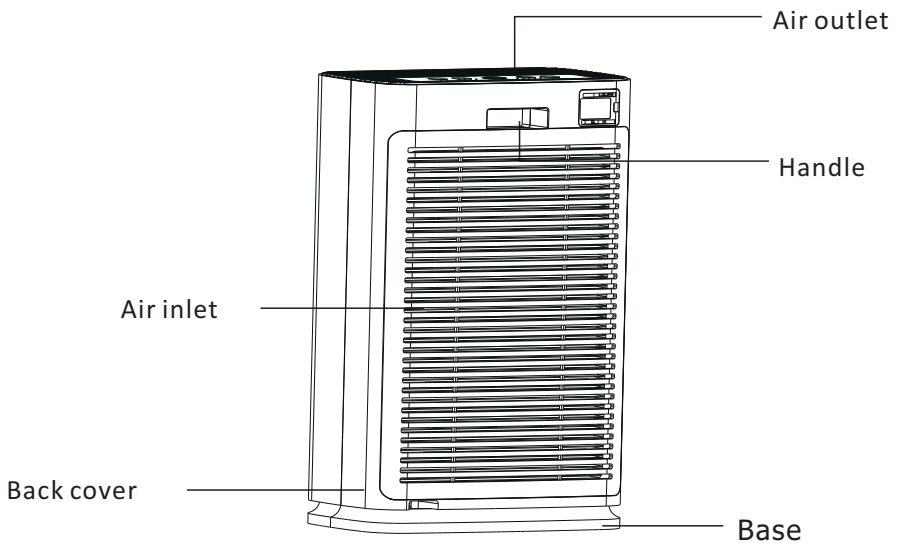
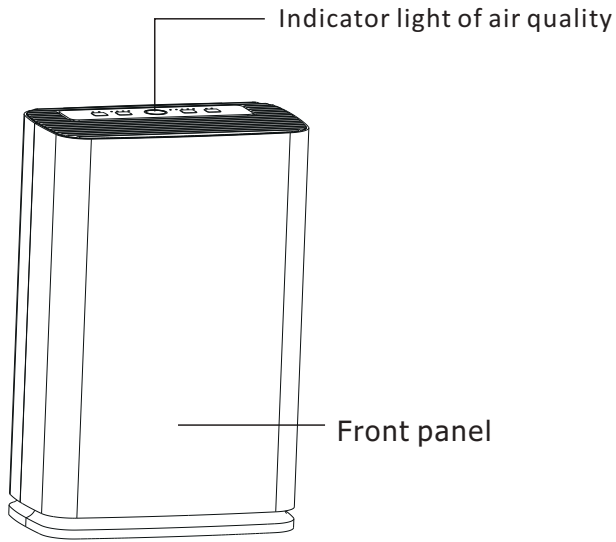


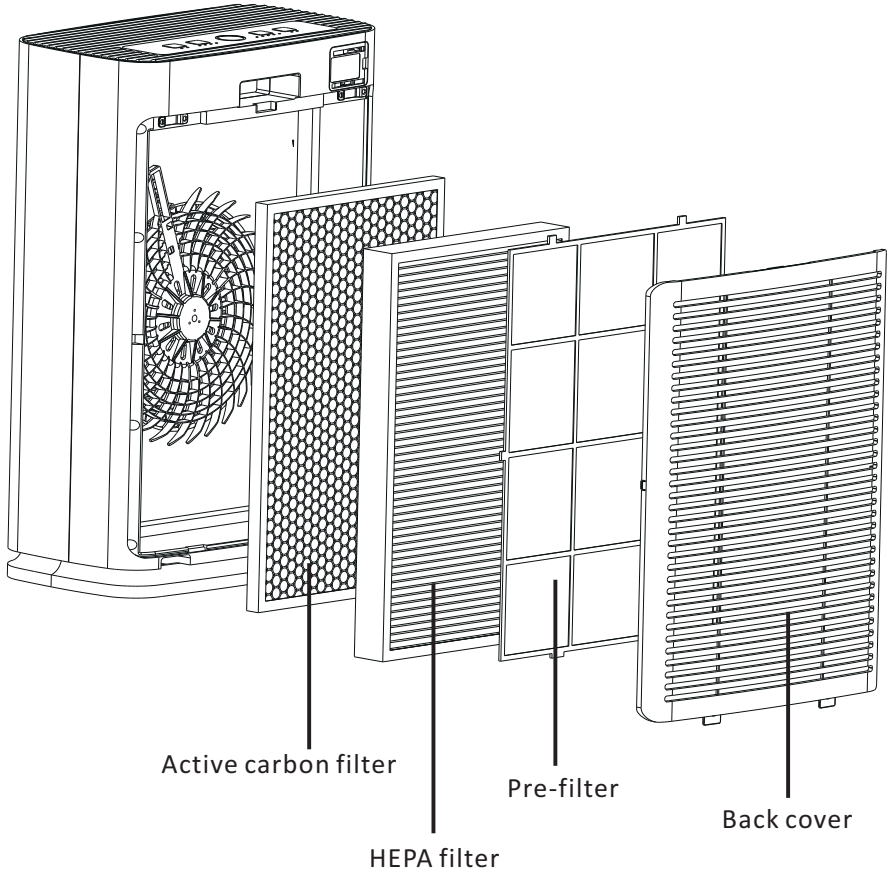
Keep away from fire!

Please be sure not to let volatile substances or combustible materials float into the machine.

Or fire accidents may be caused.

2.Product introduction





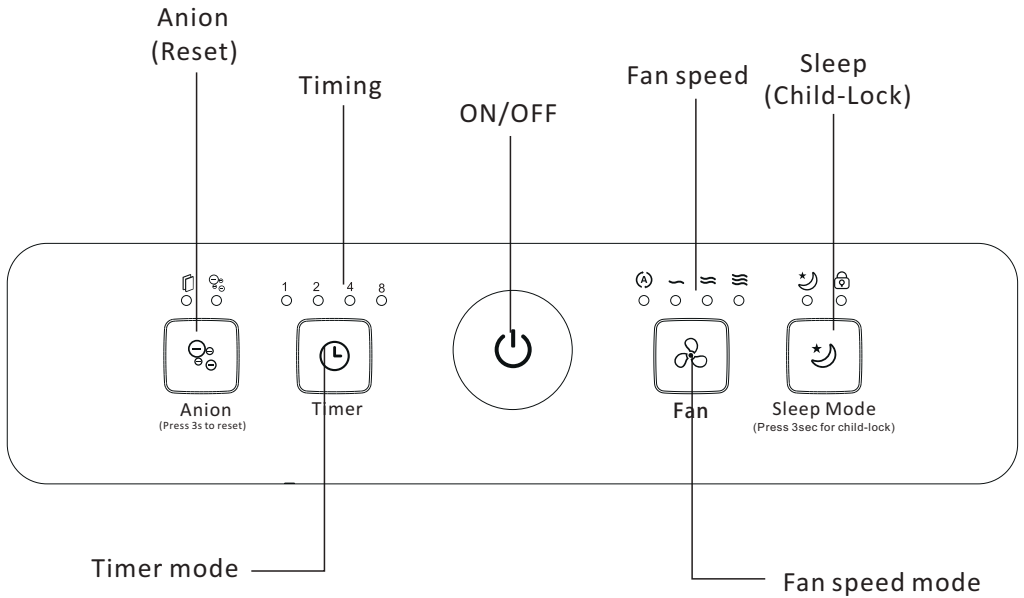
Active carbon filter

HEPA filter

Pre-filter

Back cover

Function description of control panel

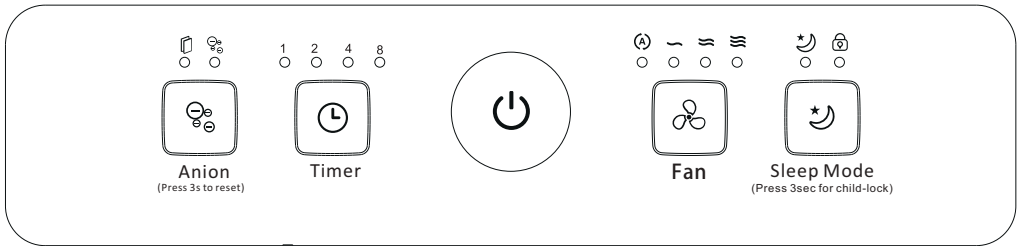


Indicator light of air quality	Color	Air quality
	Blue	Excellent
	Green	Good
	Red	Poor

3. Before use

Understand indicator light of air quality

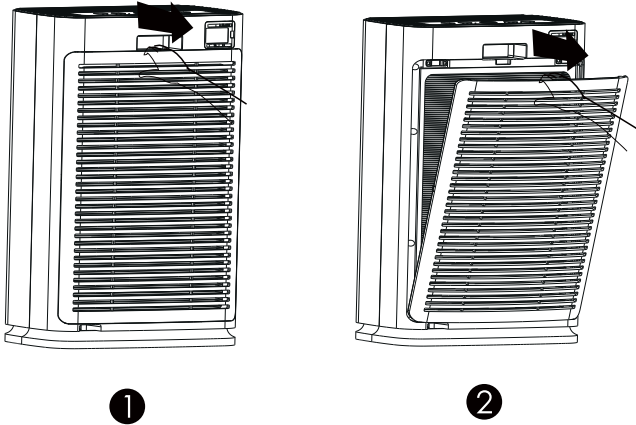
Indicator light of air quality reflects current air quality. Please refer to page 10 and page 24 to see the details.



Disassembly and installation methods of the back cover

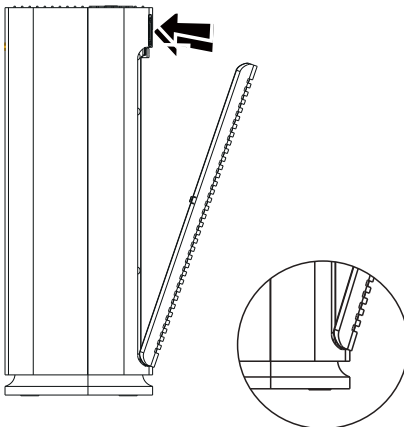
1. Disassembly method of the back cover

Hold groove of the back cover ,pull out the magnetic door holder .Slightly lift up the back cover.



2. Installation method of the back cover

To reinstall the back cover align and insert the fixed groove, then exert pressure at top of the machine, and fix the back cover to be close to the magnetic door holder.



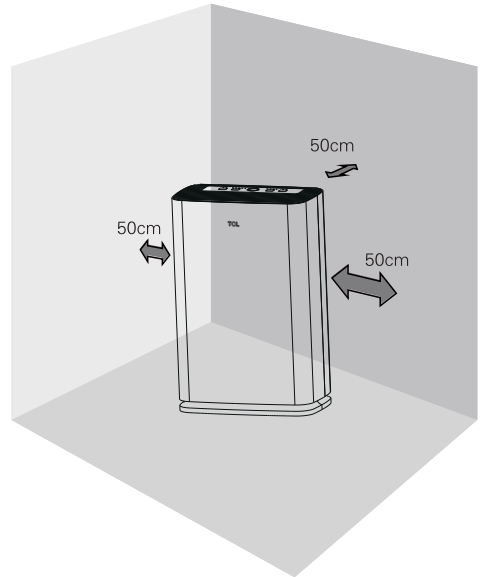
Placement of air purifier

In order to provide your room with good circulation, please make sure there is at least 50 cm space between air inlets at both sides of every machine and wall surface or curtain. And please make sure space between air outlets and the back is at least 10 cm.

Please keep 1 meter or more distance from the TV, radio.

Please do not insert power plug of the machine with power plug of TV, radio or other into the same power socket. (Or picture flutter and noise maybe caused.)

- ⊘ If the machine is used at the same place for a long time, wall around the main engine may be dirty.
- ⊘ Please do not block air inlets and air outlets to make sure there is enough ventilation and great efficiency.



Install filter net

Information:

This air purifier is inclusive of all filter nets. Please remove packings of all filter nets before using this product. Please in accordance with the following instructions remove packings of all filter nets. Then put them into the air purifier again.



ATTENTION:

- ⊗ Please make sure the power plug is disconnected before installing, repairing and transporting.
- ⊗ Please do not operate machines without installing filter nets.
- ⊗ Please remove plastic packing of each filter net before use.



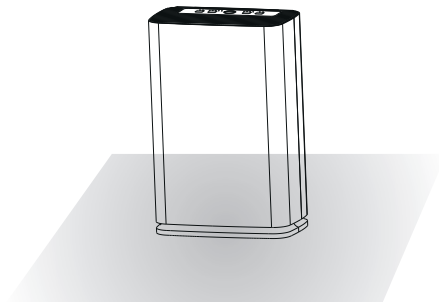
HINT:

Please be careful when installing the back cover watch your hands.

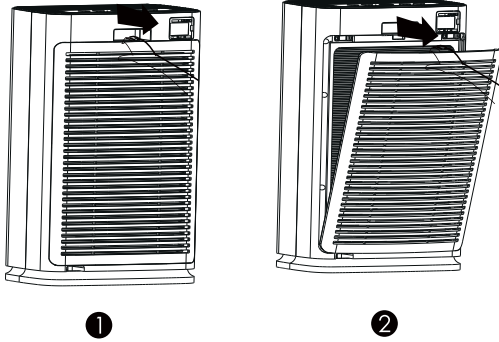
Operating steps:

Please correctly install filter nets in accordance with the following steps when using this air purifier for the first time.

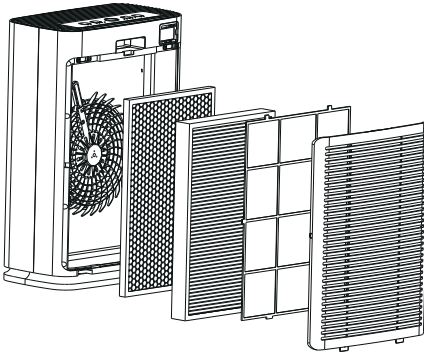
1. Remove all packing materials, and put the machine on a dry, stable and flat surface.



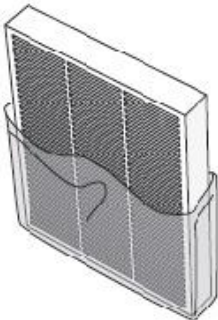
2. Hold groove of the back cover ,pull out the magnetic door holder .Slightly lift up the back cover.



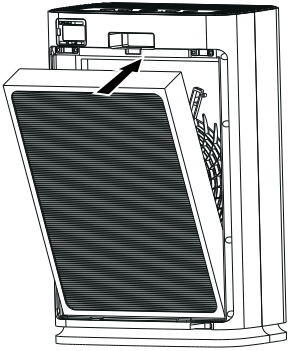
3.Remove the filter assembly inside the purifier. (Tips: Remove the filter assembly follow the arrow direction).



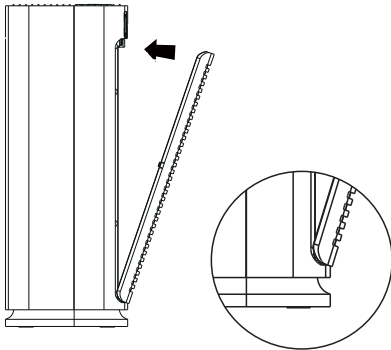
4.Remove the bag on filter net.



5. Put the filter assembly back into the purifier.

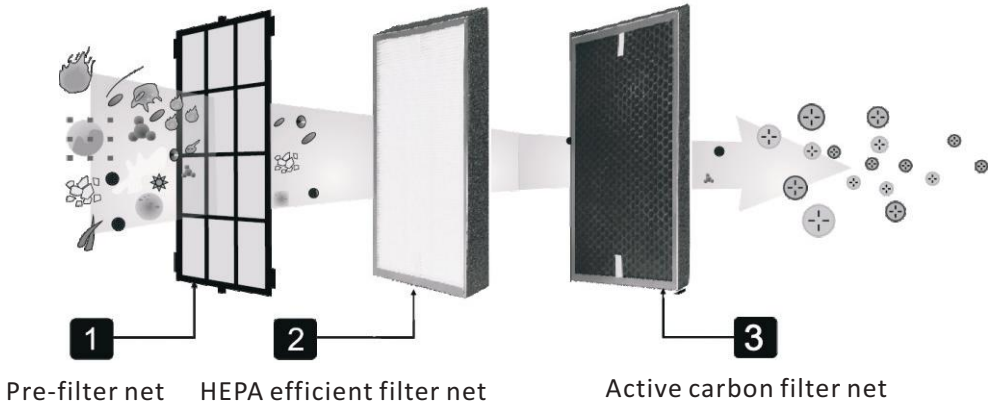


6. To reinstall the back cover, align and insert the fixed groove, then exert pressure at top of the machine, and fix the back cover to be close to the magnetic door holder



Understand functions of the filter net

Composition of the filter net



4-level filtering efficiently purifies air, to create a healthier life.

Level 1: Pre-filter net

Level 2: HEPA efficient filter net

Level 3: Activated carbon filter net

Level 4: Anion function

Level 1: Pre-filter net

The micron filter net efficiently prevents fiber particles > 0.2 mm, with preventing rate > 99.9.0%. Easy disassembly and cleaning, and usable for tens of thousands of times.

Function:

Prevent large particles in air, such as hair, dandruff, coarse particles and fine dust.

Prolong life span of the filter net.

Level 2: HEPA efficient filter net, employing the latest electret technology

High performance and compound HEPA filter net, with removal rate as high as 99.97% and above can remove particles with the diameter of 0.25 microns above. It is specialised in dust removal and inhalable particle absorption, up to European standard, and has exceeded environmental air quality standard of PM2.5. Excellent dust collection effect could prevent dust pollution in lungs and remove dust risks.

Function:

Remove 99.97% allergens and bacteria spreading in air, such as dust, smoke, pollen, pet hair, bacteria and mycetic spores.

Level 3: Activated carbon filter net

Activated carbon could powerfully absorb and solidify as well as crystallize, further remove toxic substances such as benzene and other peculiar smell. It can also stop secondary pollution caused by thermal desorption of pollutants.



Functon:

Absorb volatle orga nic compounds, remove peculiar smell and chemical substances in the air.

Level 4: Anion function

Anion can induce reduction of reactive oxygen species (oxygen free radicals) in the atmospheric pollutants, nitrogen oxides and cigarettes etc., minimizing their harm to human body. It can also neutralize the positively charged dust in the air and make them subside. As a result, air is purified. Moreover, Anion can enhance the vitamin synthesis and storage in human body. It helps strengthen the physiological activity. Forests, mountain and streams are rich in Anion, known as the 'vitamin in the air'.

intelligent air purifier could efficiently remove the following allergens and bacteria.



Allergens



Dust



Hair



Hazardous
particle



Dandruff



Stive



Pollen



Pet hair



Cigarette



Dust mite



Foul smell



Chemical substance



Bacteria



Yeast



Mycetic spore



Virus



Mildew



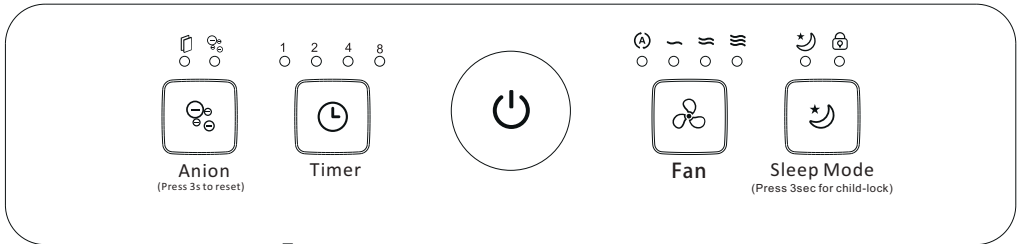
Mold



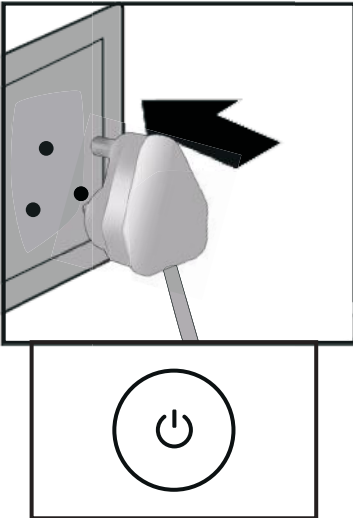
Bacteria

4. How to use

Function description of control panel



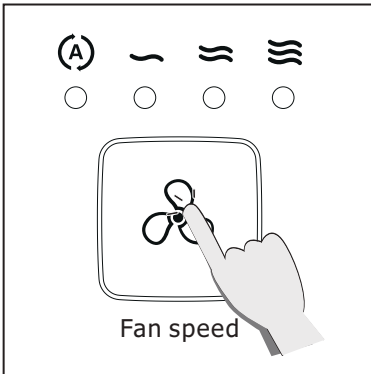
On and off of the air purifier



After plugged in the power,all the indicator lights (except the air quality indicator light) will be on ,after 1 second ,air quality indicator light will show the red color for 0.5 second ,green color for 0.5 second ,blue color for 0.5 second,then all the indicator lights will be off.And the machine will enter stand-by situation.Then press the ON/OFF button(just as the pic shows above),the air purifier will start to work and the air quality sensor will detect the air quality automatically .The air quality indicator light will show different color according to the indoor air quality.

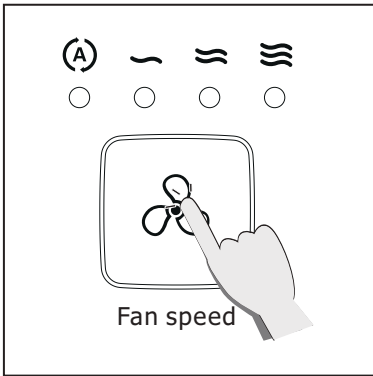
Indicator light of air quality	Color	Air quality
	Blue	Excellent
	Green	Good
	Red	Poor

Auto mode



After plugged in the power ,the air purifier enters standby mode .Press ON/OFF button, then the air purifier will on and enter AUTO mode,under this mode ,the air purifier will choose wind speed automatically according to the air quality.

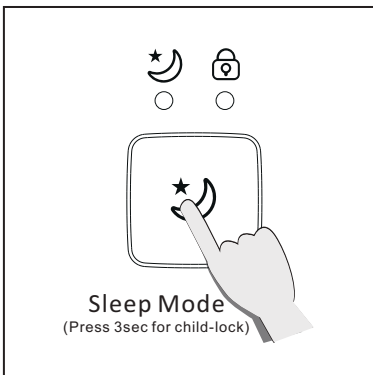
Manual adjustment of wind speed



Under manual mode, you can choose the wind speed through FAN SPEED button, there are three gears of wind speed: gear1, gear 2 , gear 3 and auto mode.

Under auto mode ,the air purifier will choose wind speed automatically according to the air quality and shows different color .

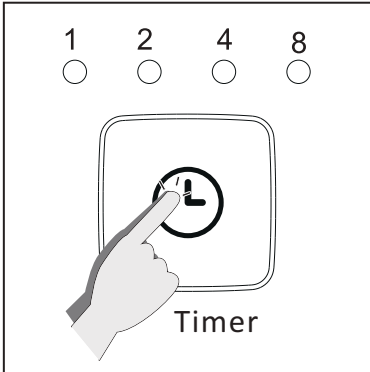
SLEEP mode



*Press Sleep button ,air purifier will enter into sleep mode ,the indicator light of sleep mode will be on ,the fan speed and noise level will change to the lowest,all the indicators will be off ,exist the sleep mode function by pressing any button , except the ON/OFF button.

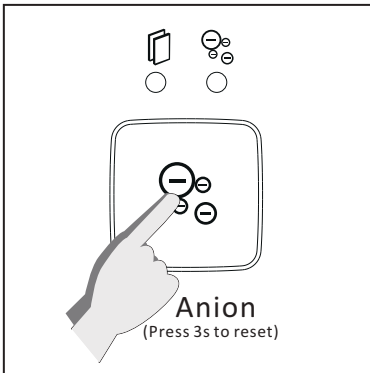
*Press Sleep mode for 3 seconds,the indicator light of child-lock will be on ,the air purifier will enter into child-lock mode.Exist the child-lock function by pressing the sleep button for 3 seconds

TIMER mode



Timer is much convenient for you to control the air purifier. You can set up the working hour of the air purifier by 1 hour、2 hours、4 hours、8 hours.

Filter net reset and Anion mode



- a. When the filter reset indicator light is on ,it reminds you to replace the filter nets. When finished replacing the filter nets,please press the ANION button for 3 seconds,and the filter reset indicator light will be off.
- b. Press ANION button,anion function will work ,and the indicator light of ANION will be on .Press ANION button again,the air purifier will be out of anion function,the indicator light of ANION will be off.

5. Maintenance and cleaning methods

Pull out the power plug before cleaning.

Please do not put the product in water or any liquid.

Please do not use cleaning agents with high abrasiveness, corrodibility or inflammability (such as decolorizer or alcohol) to clean any part of this product.

Only pre-filter net could be washed. Compound filter nets cannot be washed.



Clean the air purifier

Clean inner side and outer side of air purifier regularly to prevent dust gathering.

1. Use soft and dry clothes to remove dust on the air purifier.
2. Use soft and dry clothes to clean air inlets and air outlets.

Clean air quality sensor

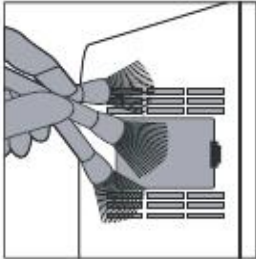
Clean the air quality sensor every two months to ensure the air purifier could work with the optimum performance. Please clean more regularly if the air purifier is used in dusty environment.



ATTENTION:

Condensed water may be formed on the air quality sensor when humidity in the room is extremely high. Therefore, indicator light of air quality will display poor air quality even if the air quality is good. In this case, please clean the air quality sensor or use any of the manual speed set.

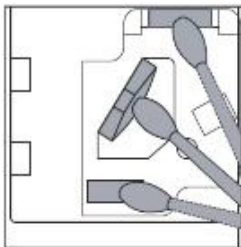
1. Use a soft brush to clean air inlet/outlet of the air purifier.



2. Dismount protective cover of the air quality sensor.



3. Use wet cotton stick to clean air quality sensor, air inlet and air outlet.



4. Wipe them dry with dry cotton stick.
5. Reinstall protective cover of the air quality sensor.

Clean pre-filter net

Information

To achieve the optimum performance, it is recommended to wash and maintain the filter net every two months (about 480 hours) after the initial use.

* Based on use of the product at home for 8 hours every day, and 7 days one week in average.

For exterior maintenance, wipe surface with a piece of wet cloth or mild cleaning agent to prevent dust accumulation.

Please turn off the power and pull out the plug during cleaning and maintenance.

Only pre-filter nets are washable, other filter nets are not washable.



ATTENTION:

Please use low speed vacuum cleaner to prevent filter net of the machine from being damaged.

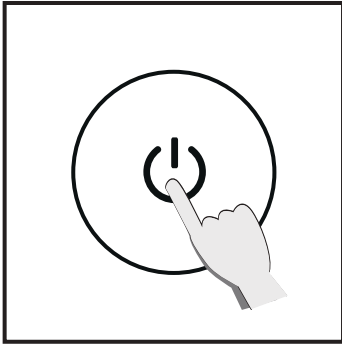


HINT:

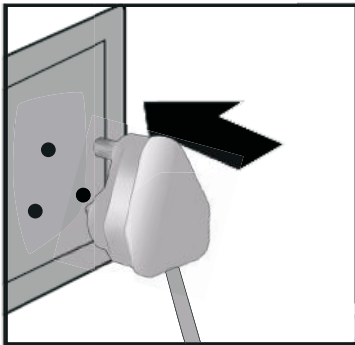
Please remove plastic packing of each filter net before putting them into the machine. And make sure the label of filter net on one side is facing upward.

Operation steps:

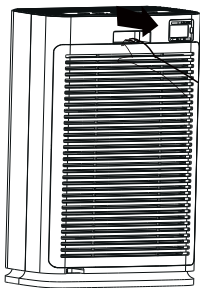
1. Turn off the power to stop the air purifier.



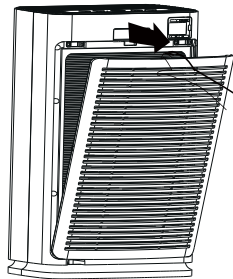
2. Unplug the power plug.



3. Hold groove of the back cover, pull out the magnetic door holder. Slightly lift up the back cover.

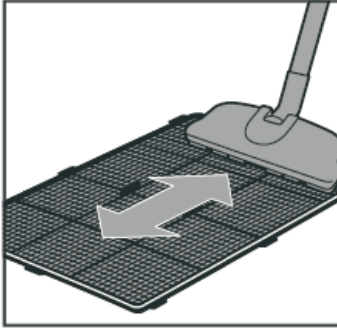


1

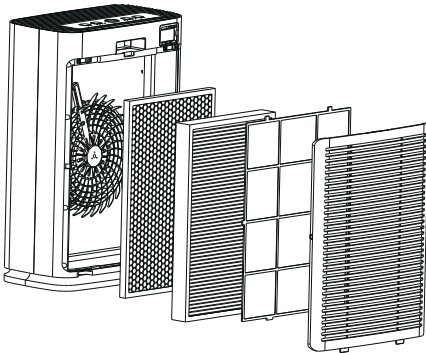


2

4. Remove particles with soft brush or vacuum cleaner. Clear the filter net with water and mild soap-suds and put the filter net into machine after it is completely dry.



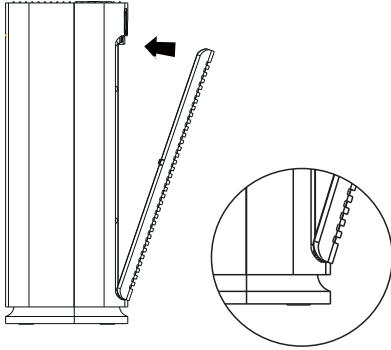
5. Install the filter assembly.



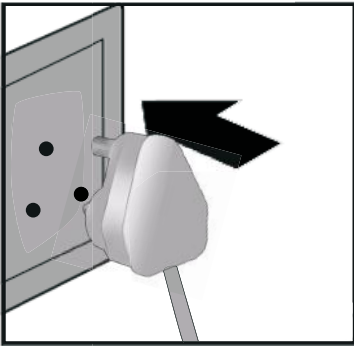
Please install the filter nets as follows.

First install the active carbon filter net ①, and then install The HEPA efficient filter net ②, and finally install the Pre-filter net ③. Please leave the white handle side up, so you can easily remove the filter when replacing the filter.

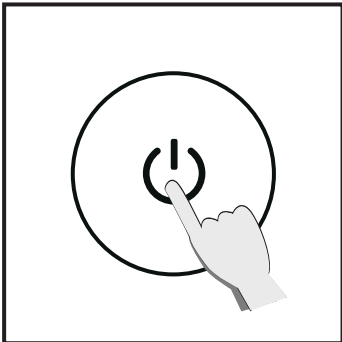
6.Reinstall the back cover



7.Insert power plug.



8. Turn the power on and start the purifier.



Change compound filter net

Information

When the machine starts sending out beeping sound, and filter replacement indicator flashes , it is to alert the user to replace the corresponding filter.



ATTENTION:

Please turn off the power and unplug power plug before replacing the filter net.

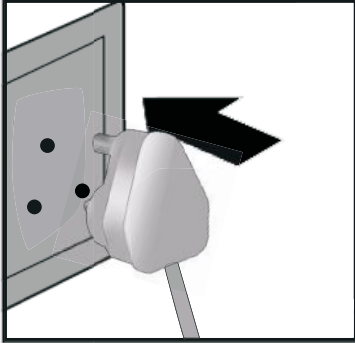


HI NT:

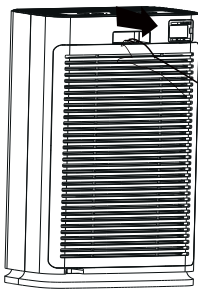
Please remove plastic packing of each filter net before putting them into the machine, and make sure the label of filter net on one side is facing upward.

Operating steps:

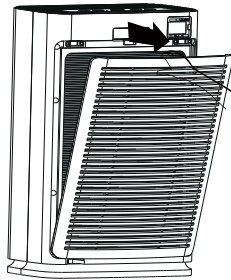
1. Turn the power off to stop the air purifier. Then unplug the power plug.



2. Hold groove of the back cover, pull out the magnetic door holder. Slightly lift up the back cover.

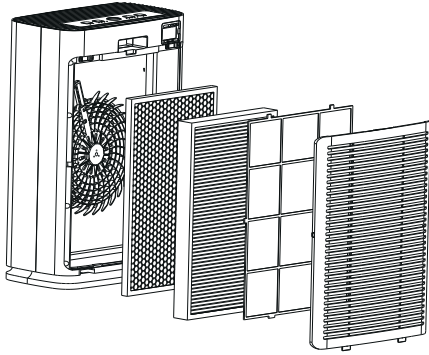


①

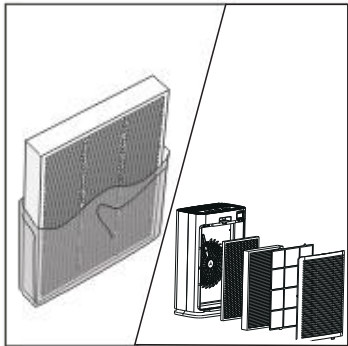


②

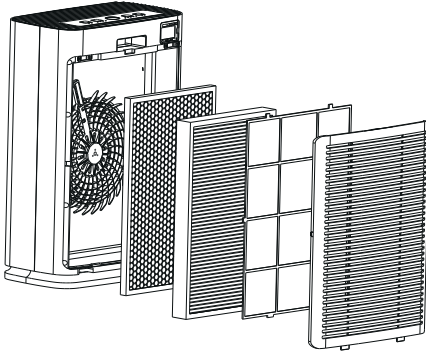
3.Remove the filter nets.



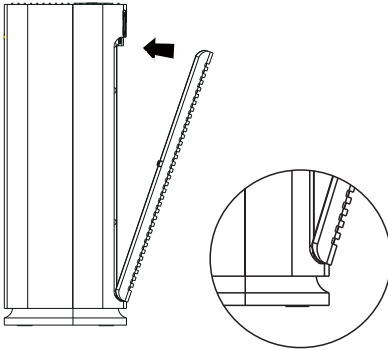
4. Remove all the package for the new HEPA efficient filter net and the activated carbon filter net.



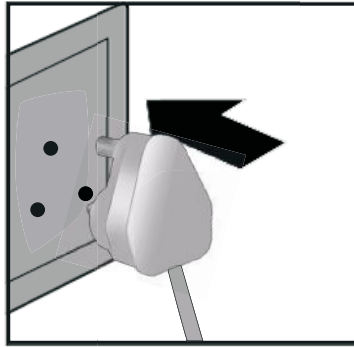
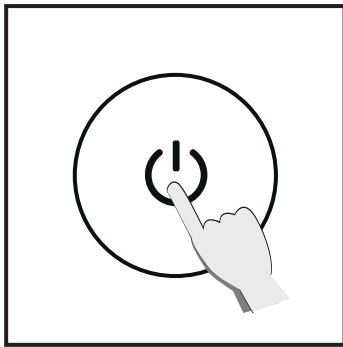
5. Install the filter nets



6. Reinstall the back cover.



7. Insert power plug , turn the power on.



8. When the filter replacement is completed, press the 'ANION' BUTTON

on the control panel.

Long-term idling

Unplug the power plug. (Power is consumed even under ready mode.)

Thoroughly wipe interior dry. (Equipment fault can be caused by rustiness.)

Put the machine in a dry and ventilated place. (Placed flat or upside down may cause faults.)

Suggested frequency of replacing the filter net

1. In general, the life span of activated carbon filter net is 12 months. You can dry activated carbon filter net under the sun for 1-2 hours. Please keep the filter net dry. Never use water to wash the filter net.
2. In general, the life span of HEPA filter net is 6 months. Never use water to wash the filter net.
3. Above mentioned frequency is for reference only. Users can also replace filter net

earlier according to actual operating environment.



ATTENTION:

Please turn power off and pull out power plug before replacing the filter net.

6. Fault handling

This chapter lists out possible faults when using this product. If faults could not be resolved by using the following information, please contact customer service center or the distributor.

Status	Possible reason	Possible solution
The machine cannot start and operate.	Back cover is not installed properly.	Dismantle the back cover and reinstall the front panel.
	Power plug is not inserted.	Pull the power plug out and insert it again.
	Power plug or electric wire is damaged.	Contact customer service center or the distributor.
	Performance of the filter net is exhausted without changing. The machine stops running.	Please refer to instructions and change filter net.

The fan does not work.	The machine is not turned on.	Insert the power plug and restart the machine.
	Electric motor is damaged.	Contact customer service center or the distributor.
	The machine is put on uneven surface.	Move the machine to a flat and stable surface.
	Loose or foreign particles are inside the machine.	Contact customer service center or the distributor.
	Electric motor is loose.	Contact customer service center or the distributor.
	Did not remove plastic packing of each filter net.	Remove plastic packing of each filter net before use.
	Washable filter net is dirty.	Wash the washable filter net.
	Filter nets are not changed.	Change a new set of filter nets.

<p>Poor performance or not achieving the best purifying capacity.</p>	<p>Air inlet or air outlet of the machine is blocked.</p>	<p>Contact customer service center or the distributor.</p>
	<p>Did not remove plastic packing of each filter net.</p>	<p>Remove plastic packing of each filter net before use.</p>
	<p>There is no proper space around the machine for ventilation.</p>	<p>Make sure space of air inlets at both sides is at least 50 cm, and air outlet at the back of the machine is at least 10 cm.</p>
	<p>There are not enough filter nets inside the machine. Or placement of filter nets is wrong.</p>	<p>Make sure to put all filter nets into the machine in accordance with instructions.</p>
	<p>Coverage area of the room has exceeded the specified area.</p>	<p>Check the room size to see if it fits specified area of the machine.</p>

Guarantee and service

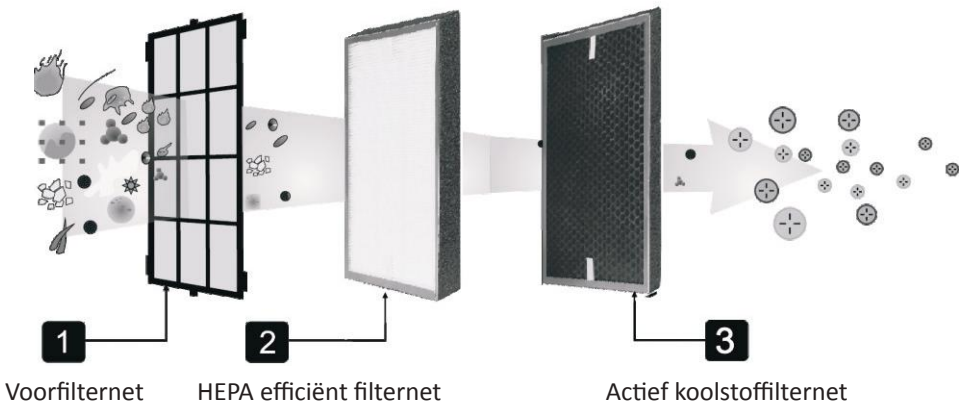
If you want to know more information or have any questions, please contact customer service or the distributor. The product specification is subject to change without notice. Our company reserves the right to make changes to the product at any time without prior notice. And the company is under no obligation to modify previously manufactured products.

Warranty 2 years from the day of purchase under normal use and environmental conditions.

Order parts or accessories

If you need to replace or purchase additional parts, please contact your customer service or distributor.

Fittings



7. Other informat on

Recy cling



Please do not discard this product together with other household garbage. Find out your local regulations of disposing electrical and electronic products.

Proper littering of used products can avoid potential adverse impact on the environment and human.



ISET S.r.l. Unipersonale

Sede Legale e Uffici

Via Donatori di sangue, 9 - 46024 Moglia (MN)

Tel. e fax +39 (0)376 598963

www.iset-italia.eu iset@iset-italia.com

Cap. soc. i.v.

Cod. Fisc. e P.IVA Reg. Imprese

REA

Cap. soc. i.v.

€ 10.200,00

02 332 750 369

02 332 750 369

MN 0221098

CERTIFICATE

Certificat - Certificado- Сертификат - Zertifikat - 證書

- 1) APPLICANT:** (who finally puts the product on the market)
Cixi Beilian electrical appliance co., LTD
No.28th,HaitongRoad,GuanhaiweiTown,Cixi,Ningbo,P.R.China
- 2) CERTIFICATE NO.:** ISETC.001020191231
FILE REFERENCE: DL-2019124435S, DL-2019124360E
- 3) ISET MARK:**



- 4) CAUTION ABOUT CE MARKING** (Instruction for the Applicant who puts the product on the EU market):



The label of the CE Marking on the left side should be not less than 5mm height. CE Marking and EC Declaration of Conformity are duties for the manufacturer or its applicant who puts the product on the market. This one is responsible to start the CE marking and certification procedure as required by the legislation in force. Only for the products which are compulsorily included into specific Directives or Regulations will be necessary to appoint a Notified Body.

- 5) TYPE OF PRODUCT:** Air Purifiers

MODEL(S): BKJ-215, BK-01, BK-02, BK-03, BK-05, BK-06, BK-07, BK-08, BKJ-350, BKJ-350A, BKJ-370, BKJ-306, BKJ-300, BKJ-250F-A01, BKJ-310F-A01, BKJ-300A, BK-02A, BKJ-215C, BKJ-33, BKJ-306A, BKJ-306B, BKJ-70, BKJ-80A, BKJ-80B, BKJ-215B, BKJ-50, BKJ-5, BKJ-15, BKJ-15A, BKJ-15B, BKJ-15C, BKJ-03-0725, BKJ-08-0720, YKX-35-A01, BKJ-250D-A01, BKJ-16A, BJS-30A, BJS-30C, H411, H610, VAP55

- 6) LIST OF DIRECTIVES / REGULATIONS /STANDARDS** (as declared by the manufacturer itself)

Low Voltage Directive 2014/35/EU, Electromagnetic Compatibility 2014/30/EU
EN 55014-1:2017, EN 61000-3-2:2019, EN 61000-3-3:2013+A1:2019, EN 55014-2:2015,
EN 60335-1:2012+A11:2014+A13:2017, EN60335-2-65:2003+A1:2008+A11:2012

- 7) NOTE:** The applicant is aware about the contents and information included in the ModCOM04.06 Regulation for this type of Certificate that is considered totally accepted. The latest revision of the Regulation is available and can be downloaded from the website www.iset-italia.eu. This document is not referred to any evaluation that could be considered as included in the scope of the activities covered by the standard BS EN ISO/IEC 17065:2012 or European Regulation 765/2008.
- 8) REMARK:** Certificate is issued on voluntary application from the Client and it gives to the applicant the right to use and affix the ISET Mark (at point 3) on their products, even if it doesn't imply any assessment on the safety and compliance of the product. ISET declares that the only scope of the assessment is to verify the existence of the declaration issued by the manufacturer or an applicant under its own responsibilities.

- 9) DATE OF ISSUE:** 31/12/2019

EXPIRY DATE: 30/12/2024

- 10) SIGNATURE:** Li Zhang

(On behalf of the Legal representative)



This document is property of ISET Srl and any kind of reproduction is to be considered strictly forbidden.



www.faton-health.com