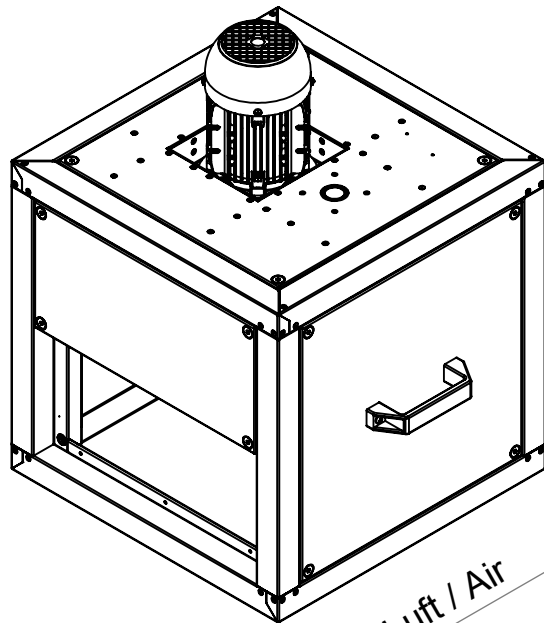


Motor



Luft / Air



1:10 A4 mm

Protection Mark according to ISO16016

General tolerances according to DIN ISO 2768-c

Created s.pop
 Drawn s.pop
 Released d.hancu
 Disabled

11.06.2018
 11.06.2018
 07.02.2019

MPC225D2F4TI30

146661 01