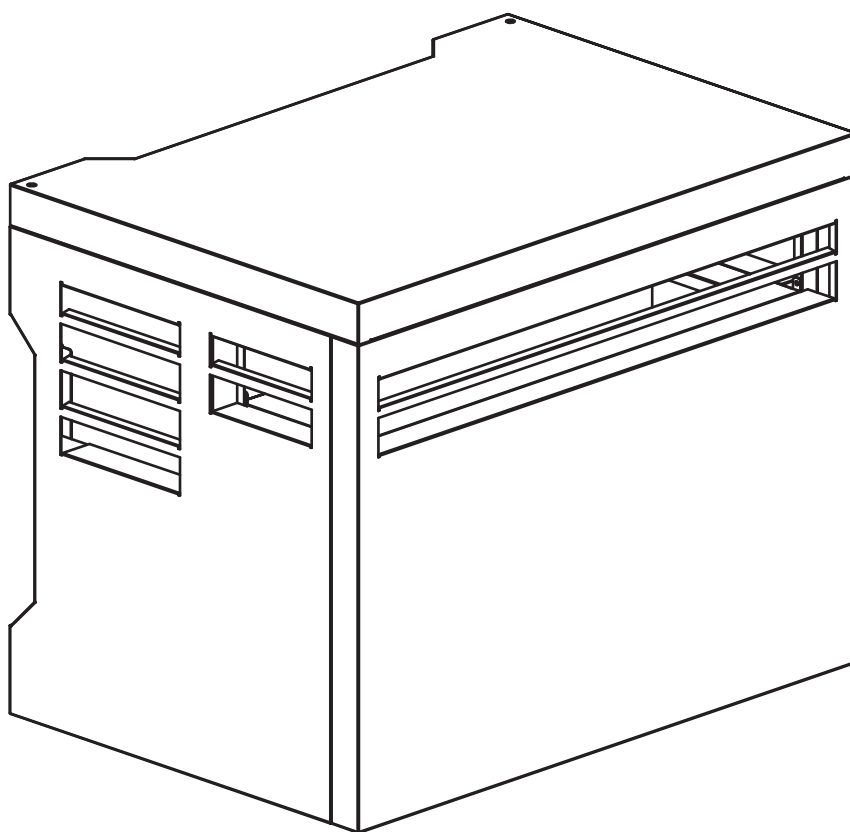


HEAT PUMP OUTDOOR UNIT NOISE REDUCTION

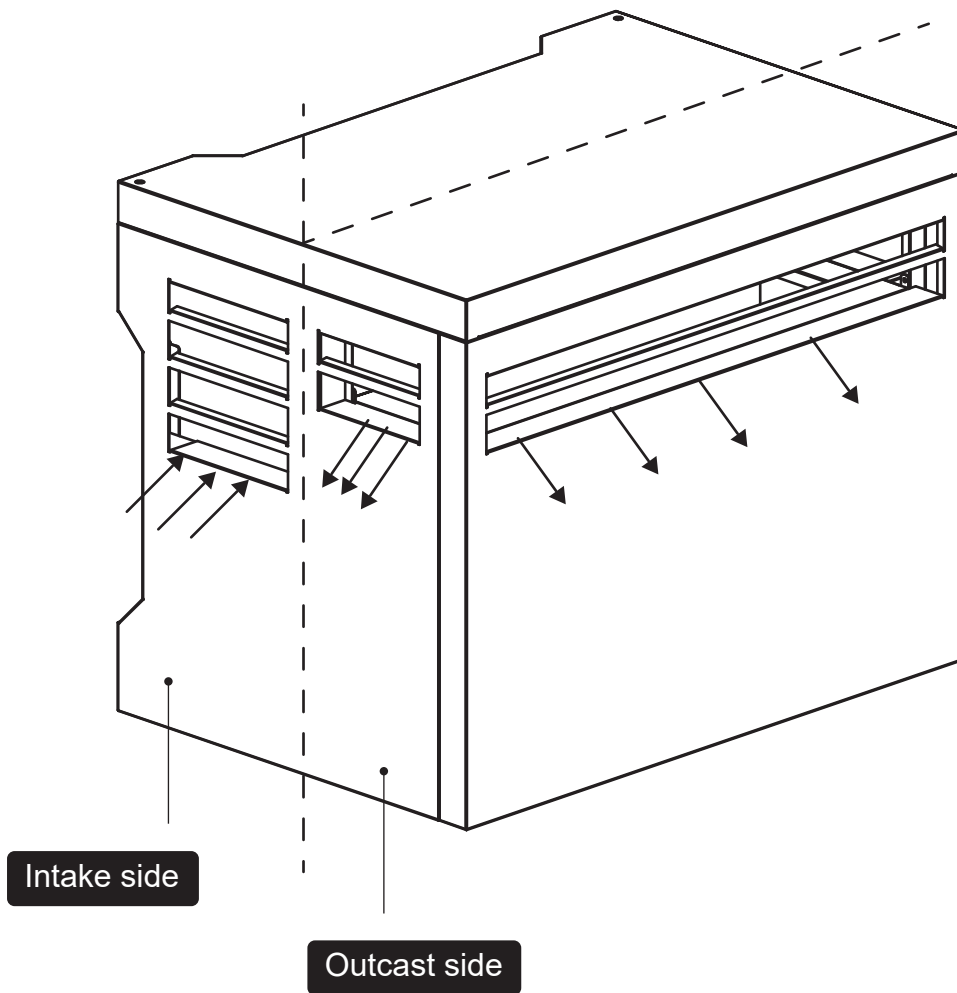


Before installing and using the noise reduction and sound insulation cover, please read this installation manual carefully. The manual is an important part of the product. Please always keep it in a fixed place and keep it properly so that you can find it when needed.

CONTENTS

AIR FLOW DIRECTION DIAGRAM	02
INSTALLATION STEPS	03
1. Bill of materials	03
2. Velcro and sealing strip	05
3. Cleaning the surface	05
4. Stick velcro	06
5. Take cotton	06
6. Install U-shaped card slot	08
7. Measuring and cutting insulation boards	09
8. Measuring the fixing holes	11
9. Install the insulation fixing strip	12
10. Install the side panel air outlet sound-absorbing cotton	12
11. Measuring the fixing holes	13
12. Fixed insulation board	13
13. Pre-installed sound-absorbing cotton	14
14. Lock the upper sound-absorbing support strip	14
15. Install the top sound-absorbing cotton	15
16. Installing the front panel	15
17. Install the top cover	16
18. Pressing hole	17

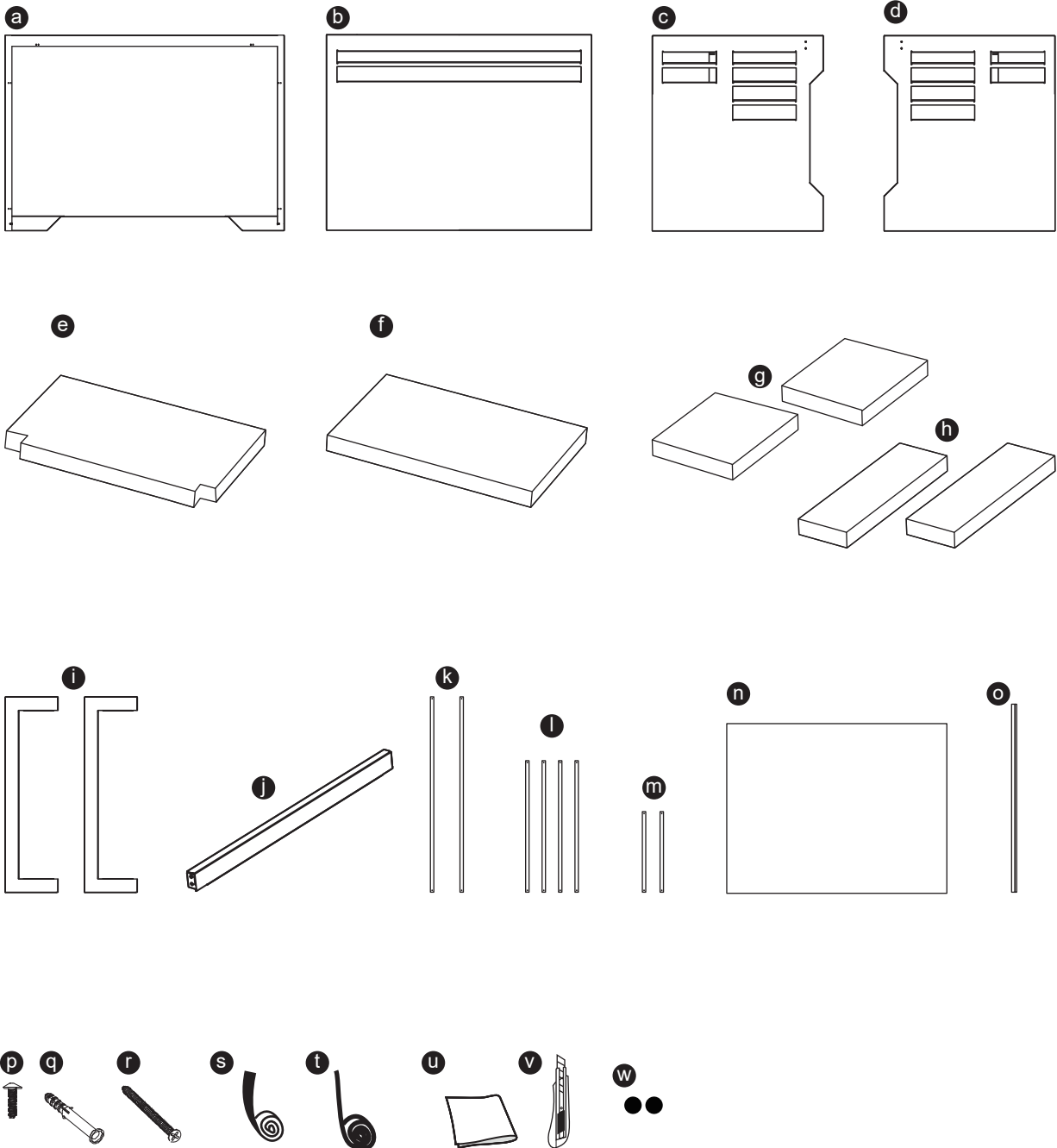
AIR FLOW DIRECTION DIAGRAM



INSTALLATION STEPS

1. Bill of materials

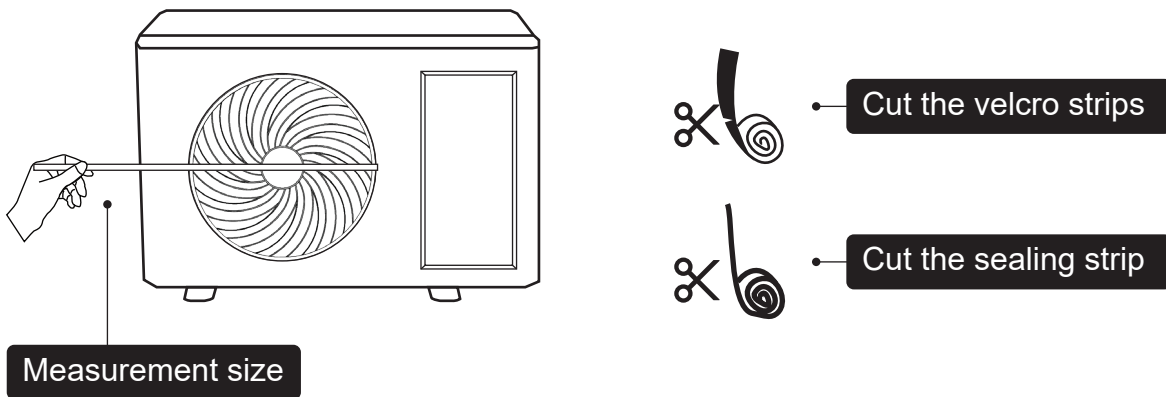
- Take out the accessories from the packaging box and count the quantity according to the accessories list.



No	Bill of Materials	Quantity
a	Upper cover	1
b	Front Panel	1
c	Left side panel	1
d	Right side panel	1
e	Sound-absorbing cotton cover	1
f	Front sound-absorbing cotton	1
g	Side panel sound-absorbing cotton	2
h	Side panel air outlet sound-absorbing cotton	2
i	U-shaped sound-absorbing cotton	2
j	Upper sound-absorbing cotton slot	1
k	Upper sound-absorbing cotton support strip	2
l	Long layering	4
m	Short layering	2
n	Insulation board	1
o	Insulation board fixing strip	1
p	M4*8 screw	32
q	Expansion rubber plug	4
r	6x60 screws	4
s	Velcro	1
t	sealing strip	1
u	Cleaning tablets	2
v	Utility knife	1
w	Sealing plug	2

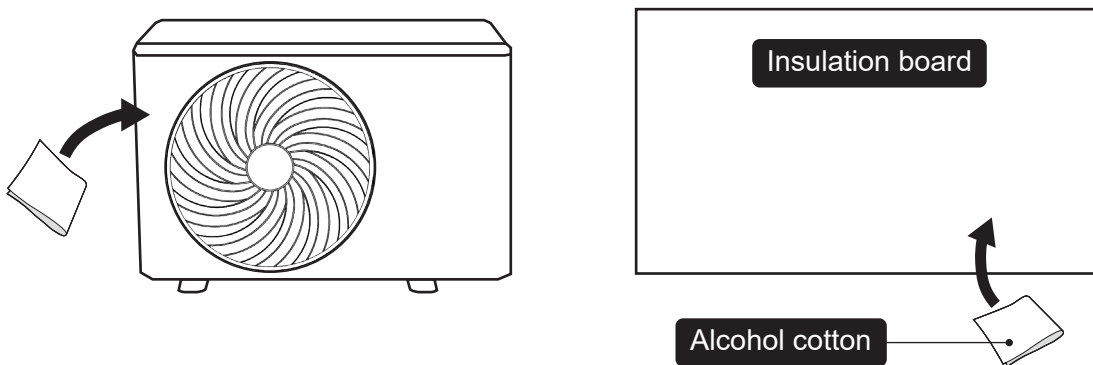
2. Velcro and sealing strip

- Cut the Velcro according to the size of the hot air outlet, and do not tear off the adhesive tape on the back of the Velcro at this time!
- Cut the sealing strip according to the size of the hot air outlet



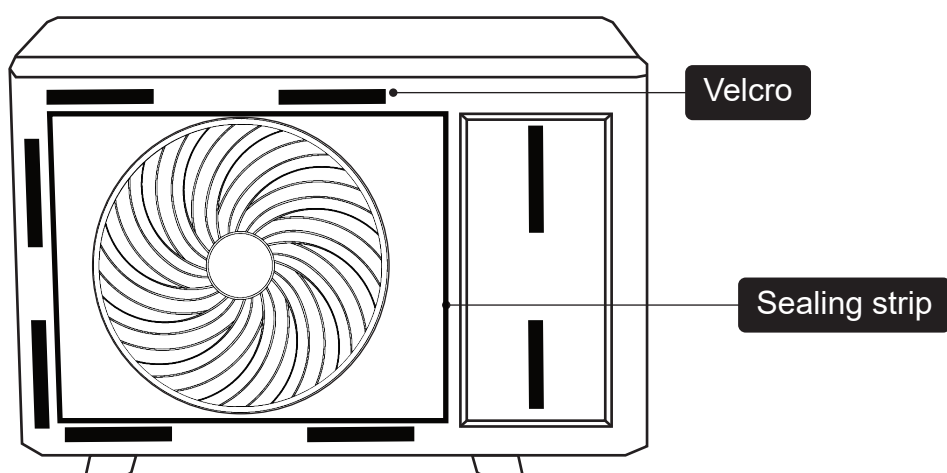
3. Cleaning the surface

- Use a cleaning sheet (U) to clean the areas where the Velcro is attached to the air conditioner outdoor unit and the heat insulation panel (N).



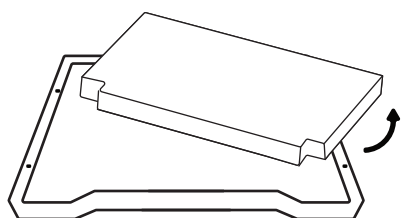
4. Stick velcro

- Align the hook and loop sides of the Velcro (Ⓢ) and press them tightly, tear off the adhesive on one side, and stick it to the corresponding position of the external unit with a little force.
- Tear off the adhesive on the Velcro and stick it around the air outlet.
- Tear off the adhesive tape and stick the sealing strip (Ⓣ) around the air outlet.

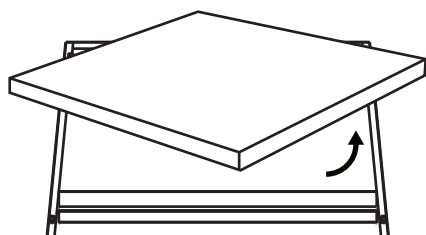


5. Take cotton

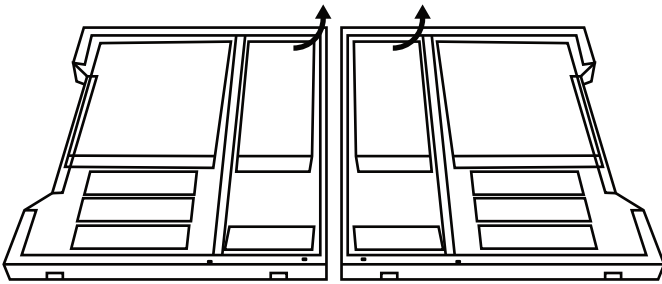
- (1) Remove the sound-absorbing cotton from the upper cover (ⓔ).



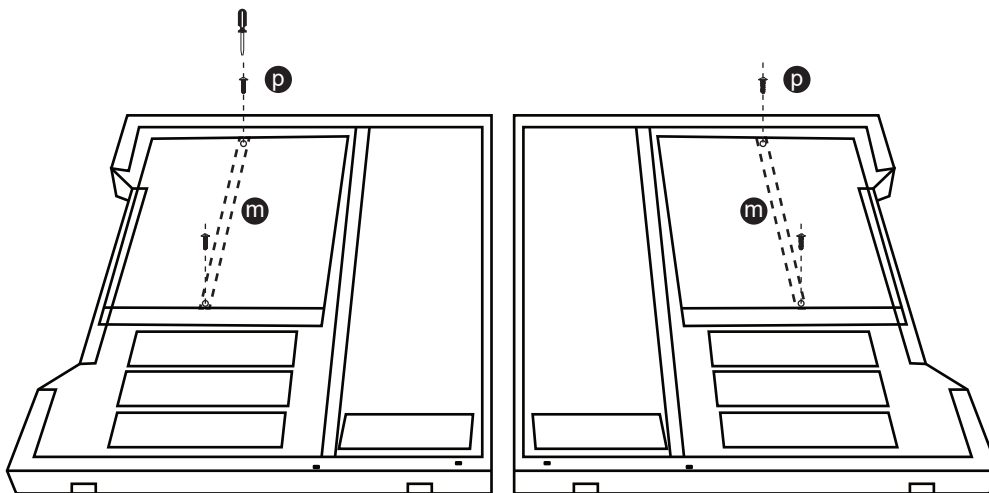
- (2) Remove the sound-absorbing cotton from the front panel (Ⓡ).



(3) Remove the sound-absorbing cotton from the two side panels (h).



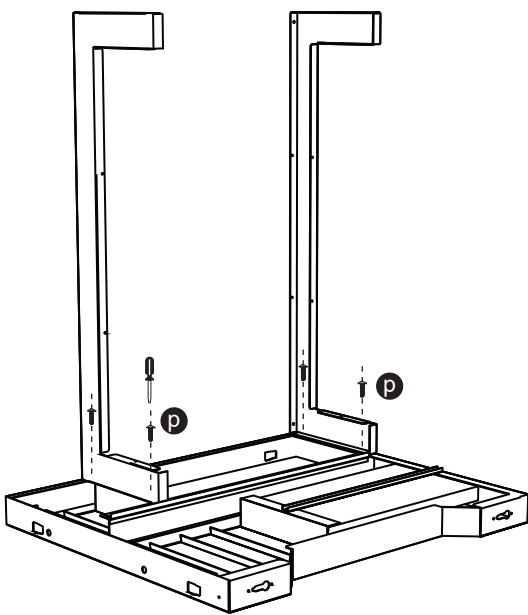
(4) A spiral loop for sound-absorbing cotton strips (m) on the left and right sides of the windshield.



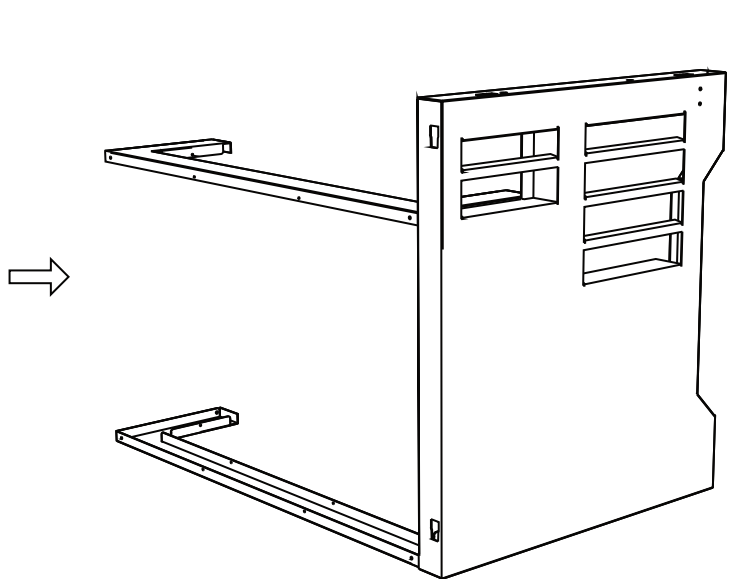
6. Install U-shaped card slot

- Place the side panel (c) flat on the ground and lock the two U-shaped grooves (i) on the side panel (c) in sequence; then rotate it 90 degrees and lay it flat, and then lock the side panel (d).

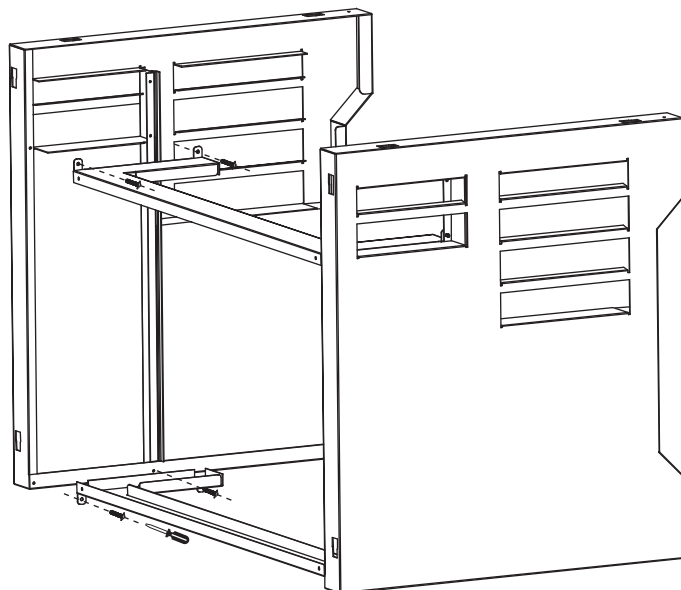
Step 1



Step 2



Step 3



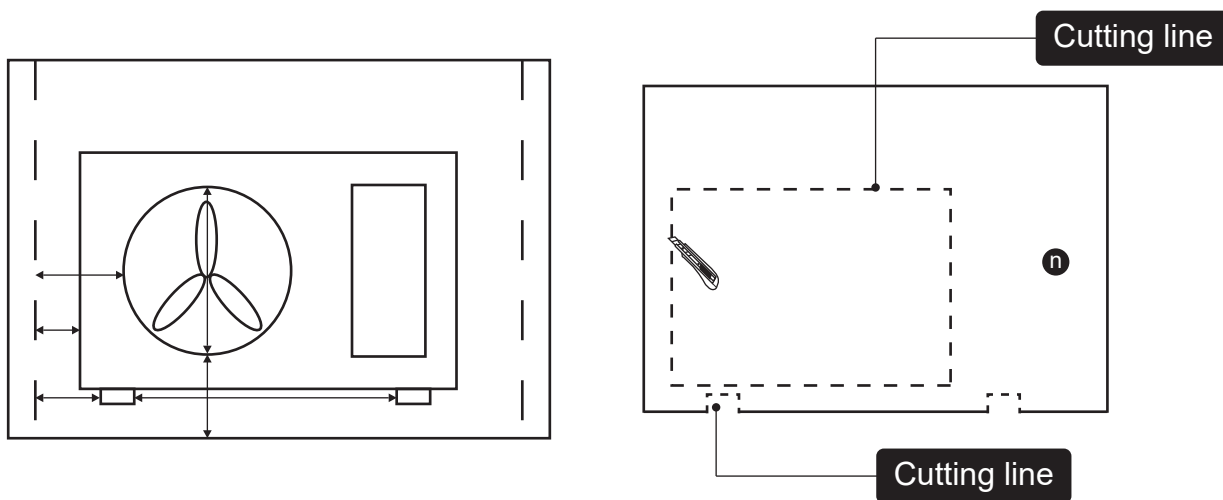
7. Measuring and cutting insulation boards

- Measure the inner width of the frame air inlet, and use the distance from the copper valve to the inner wall of the side panel of 100 to 150 mm as a reference to determine the position of the outdoor unit air outlet and the mounting feet on the insulation board (n), and cut them for later use.

NOTICE

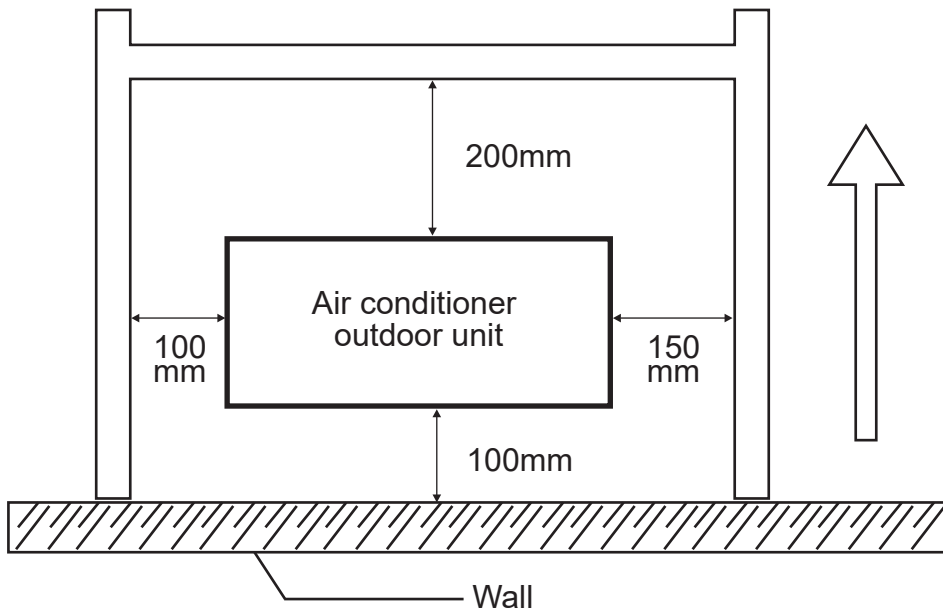


If the outdoor unit has been installed, measure the distance from the back of the outdoor unit to the wall and the distance from the bottom of the outdoor unit to the ground. If necessary, move the outdoor unit to a suitable position. It is recommended that the bottom of the outdoor unit should not be more than 100mm from the ground and the back of the outdoor unit should be 100-150mm from the wall.



Note: This figure is for reference only.

- Top view of air conditioner outer cover.

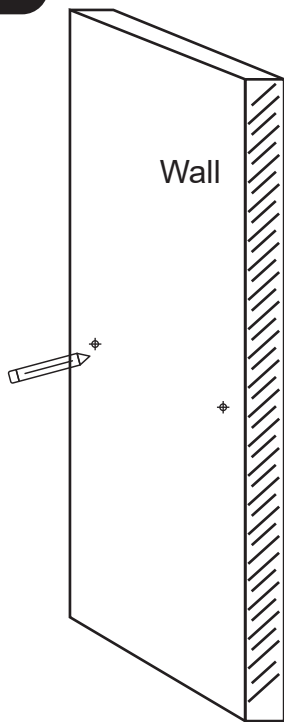


Note: This figure is for reference only.

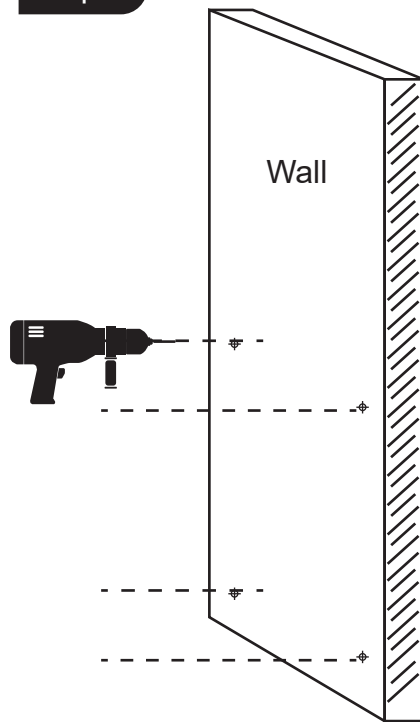
8. Measuring the fixing holes

- Measure the distance between the fixing holes on the frame, mark the holes on the wall and install the fixing screws.

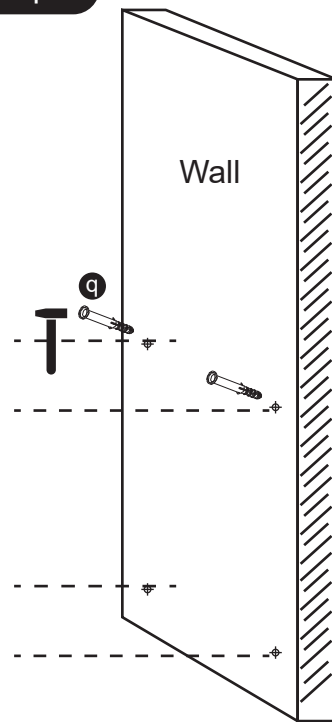
Step 1



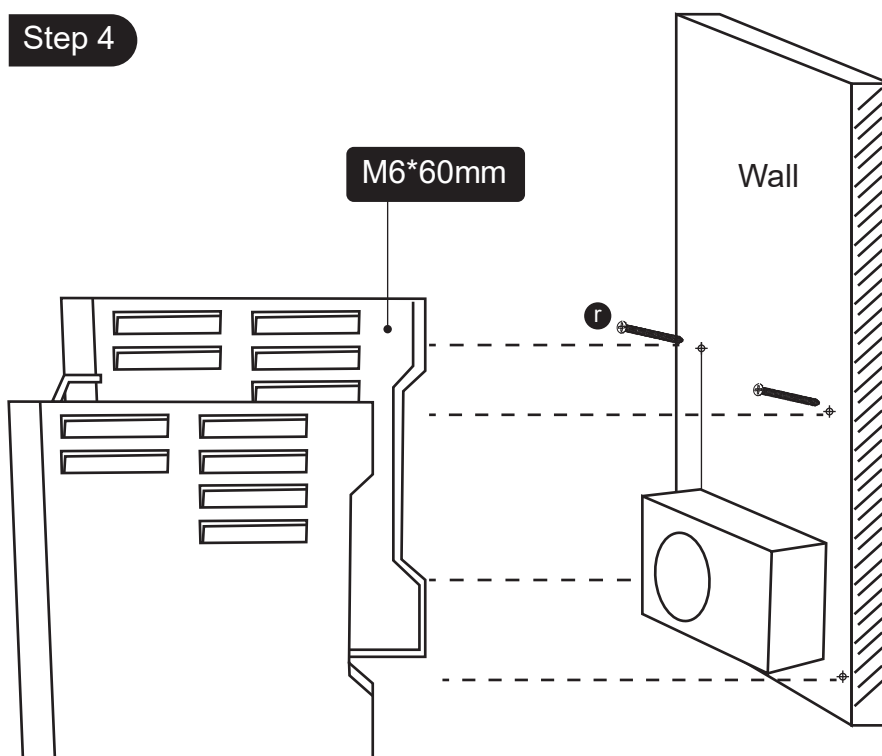
Step 2



Step 3

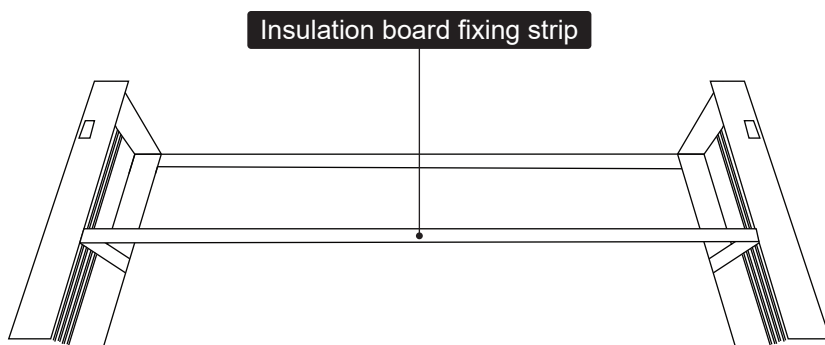


Step 4



9. Install the insulation fixing strip

- Lock the heat insulation board fixing strip (ⓐ) to the left and right side panels according to the position of the outdoor unit, but do not tighten it at this time.



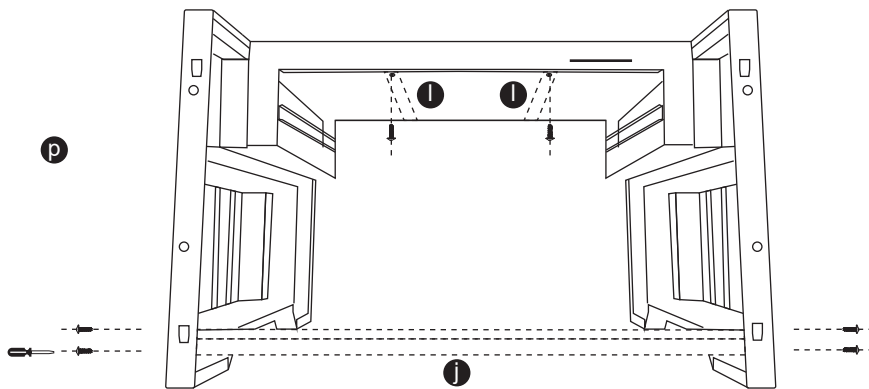
10. Install the side panel air outlet sound-absorbing cotton

- Place the thinner piece (ⓑ) of the air inlet sound-absorbing cotton of the side panel (ⓐ ⓑ) toward the side of the external unit, align it with the thicker piece, stack them flat, insert them into the fixing groove of the air outlet side panel, and lock the pressure strip (ⓐ).



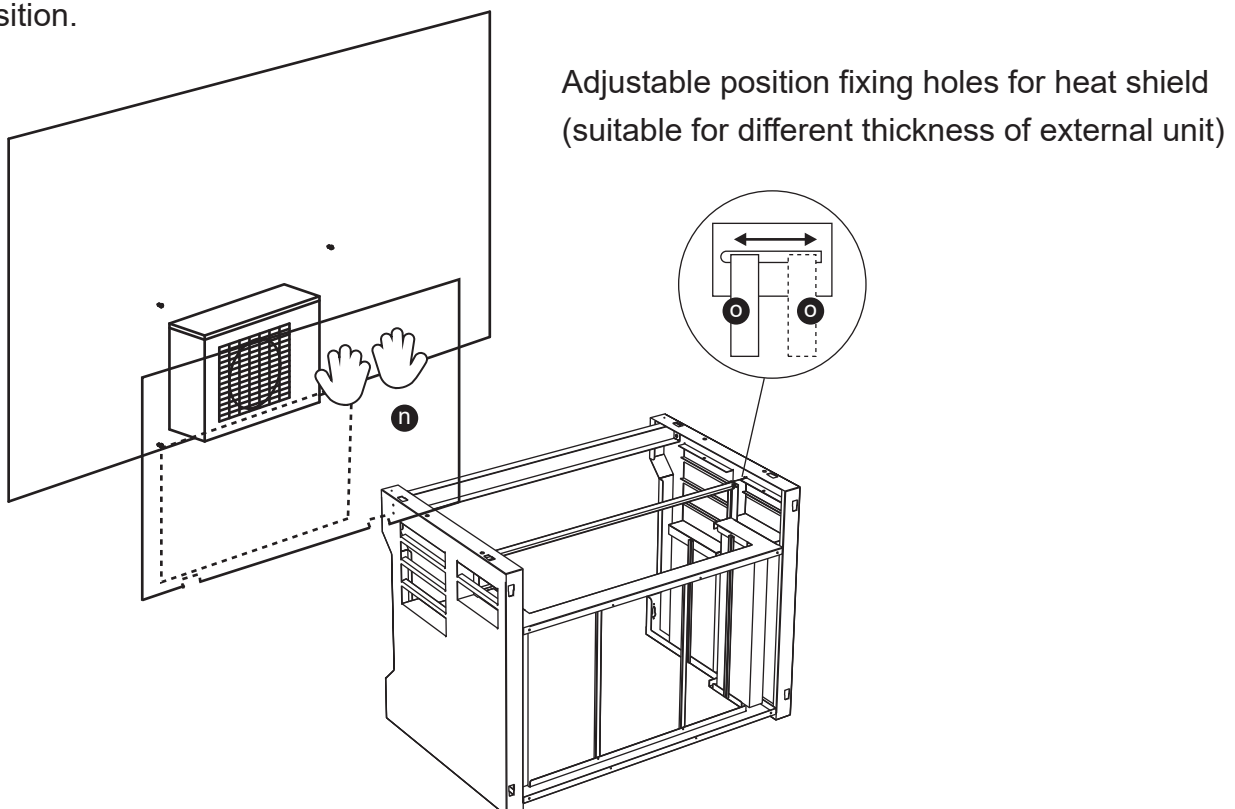
11. Measuring the fixing holes

- Tighten the upper cover sound-absorbing cotton slot (**i**) and the front panel sound-absorbing cotton strip (**l**) into the screw holes.



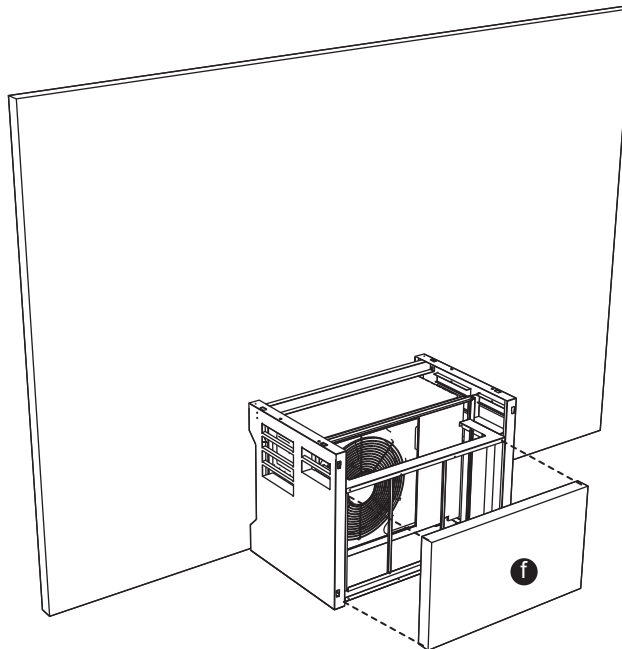
12. Fixed insulation board

- Fix the installed frame to the wall, tear off the Velcro sticker (**s**), align the opening of the heat insulation board (**n**) with the air outlet of the external unit, press the Velcro (**s**), and lock the heat insulation board fixing strip (**o**) in the appropriate position.



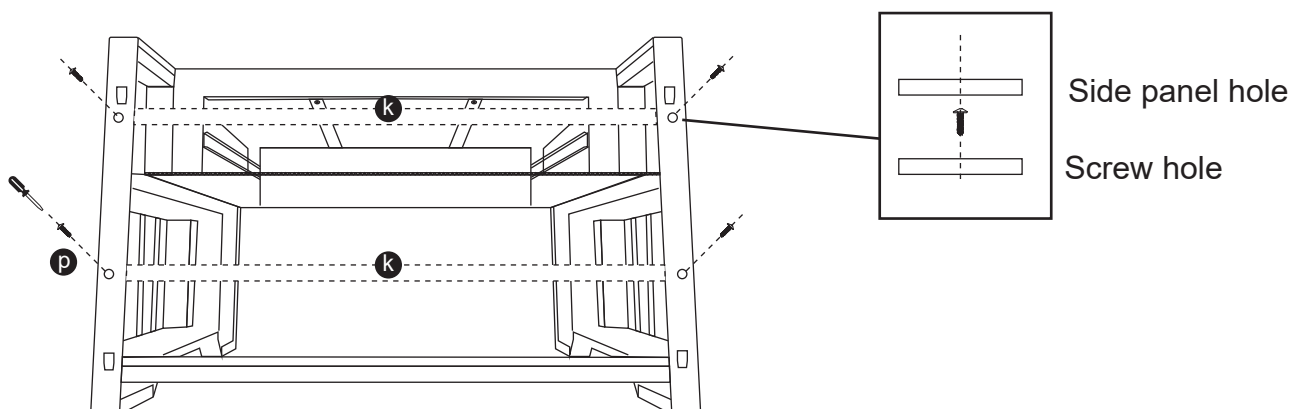
13. Pre-installed sound-absorbing cotton

- Place the thin sheet of the front panel sound-absorbing cotton (f) toward the outside unit and align the thick sheet, and insert it into the front panel slot (i).



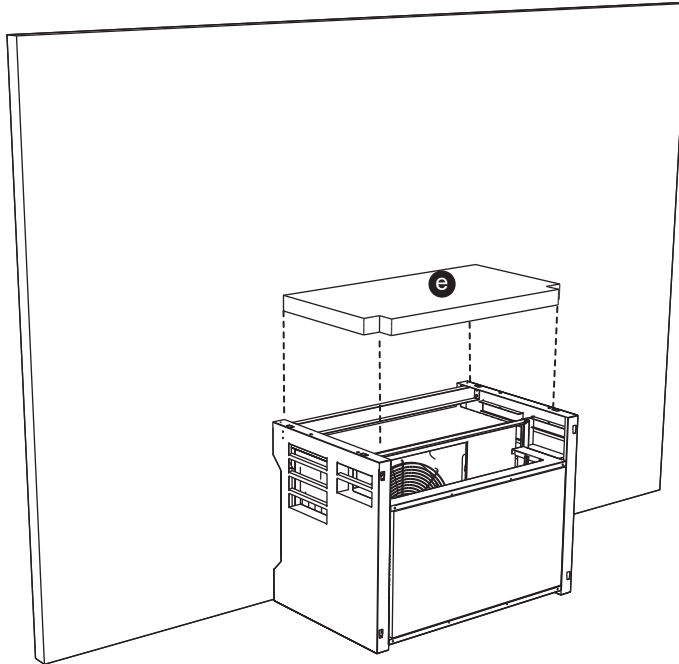
14. Lock the upper sound-absorbing support strip

- Lock the top cover sound-absorbing cotton support strip (k) to the upper part of the air outlet of the side panel (c d).



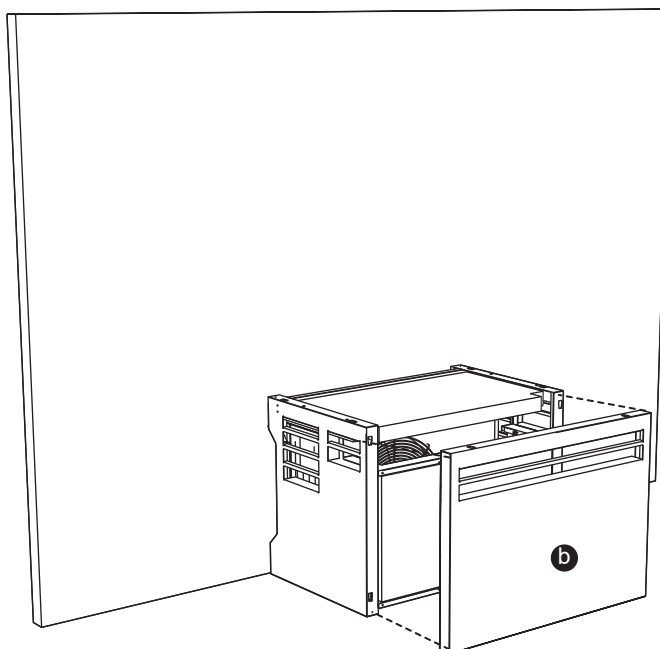
15. Install the top sound-absorbing cotton

- Align the thin sheet of the top cover sound-absorbing cotton (e) with the thick sheet at the bottom and stack them up, with the notch facing the air outlet direction and insert them into the slot above the sound-absorbing cotton support strip.



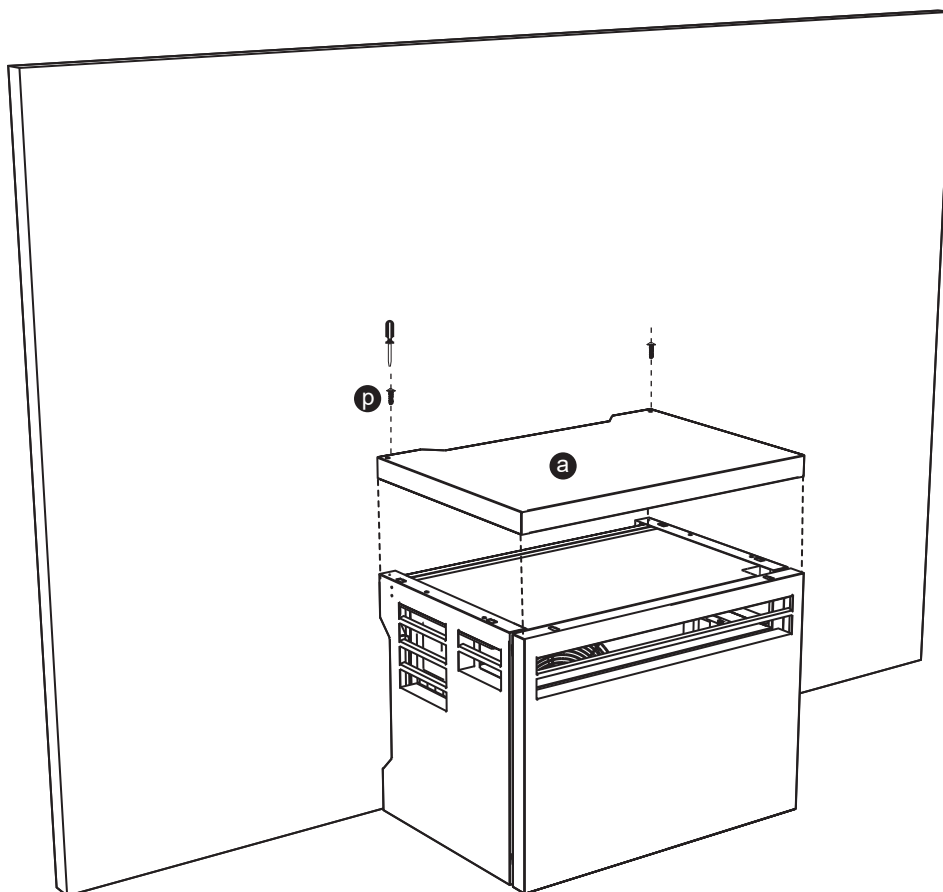
16. Installing the front panel

- General front plate (b) In the middle of the metal plate-filled frame, the bottom of the vertically pressed face plate.



17. Install the top cover.

- Snap the top cover (a) down into the slot of the frame, push it flat to the bottom in the groove direction, and tighten it with screws.



18. Pressing hole

- Press the waterproof rubber plug (W) into the hole and tighten it.

